

MIL-DTL-22992 圓形連接器

MIL-DTL-22992 是強固型快速插頭、插座連接器，於電力、電子和控制電路中使用。MIL-DTL-22992 的組件有許多個接點。適用於-55°C~125°C (-67°F~257°F)。

CWLD / QWLD 系列仍屬 M22992 軍規系列電源連接器，是採用 MIL-C-5015 的配置方式，並有 12 外殼尺寸可供選擇。他們有高達 150 焊接 (Solder) 或壓接點 (Crimp)，大約有 300 種配置 (規格由 18~4/0) 插入安排。CWLD 系列的連接器外殼採用矽酸鋁材並經過黑色陽及處理，可於鹽蝕嚴重的環境下使用；其接觸點 (Contact) 均採鍍金方式不會氧化，採壓接 (Crimp) 方式方便施工，相同系列產品相互連接亦具防水功能。

C、J、R 類型屬強固型連接器，按 MIL-C-5015 排列方式可有 16 個於 12 種尺寸的外殼類型。他們具有 1~104 焊接處點 (尺寸:16~1/0)，並且可以有 112 插入配置安排。

L 類型連接器用於電源連接電流，用於 40~200 安培，是理想的軍事或工業重型電力聯絡使用。他們有 5 種尺寸 4 種外殼類型，2~8 接觸點 (規格由 6~4/0) 與 32 插入安排。

所有產品包括雙頭螺紋，並有 5 種導槽的外殼可供更多選擇使用。MIL-DTL-22992 零件的設計可以提供用戶最大的安全和設備的保護。註：MIL-C-22992 已替換為 MIL-DTL-22992。

MIL-DTL-22992 產品規格

PIN Diagram 產品編號形式

MS17343	R	20	C	27	P	W
MS number (Table 1)	Class (Table 2)	Shell Size	Finish (Table 3)	Insert arrangement (Table 4)	Contact style (P = pin, S = socket)	Alternate position

Table 1: MS number

MS Number	Designated Use
MS90555	Power source receptacle
MS90556	Cable plug with coupling ring
MS90557	Cable connecting receptacle without coupling ring
MS90558	Wall mount plug with coupling ring
MS17343 (CWLD00)	Wall mounting receptacle
MS17344 (CWLD06)	Straight plug



佳昭企業有限公司
NEARSON ENTERPRISE CORP.

• TEL:886-2-2957-9823 • FAX:886-2-2957-9712
• <http://www.nearson.com.tw>

MS17345 (CWLD01)	Cable connecting plug
MS17346 (CWLD02)	Box mounting receptacle
MS17348 (CWLD07)	Jam nut receptacle
MS17349 (CW49)	Cover for receptacle
Ms17350 (CW50)	Cover for plug

Table 2: Class

Designator	Class
C	Pressurized
J	Pressurized with grommet
L	Arc quenching
R	Environment resisting

Table 3: Finish

Designator	Finish
C	Cadmium, conductive, olive drab.
N	Hard oxide, nonconductive, gray/black.
P	Pure dense electrodeposited aluminum, conductive, nonreflective.
T	Nickel fluorocarbon polymer, conductive, nonreflective.
Z	Zinc nickel, conductive, nonreflective.

Table 4: Insert Arrangement

Class	Insert Arrangement
C, J, and R	In accordance with MIL-STL-1651
L	In accordance with MS14054, MS14055, MS14057, MS90565, MS90567



佳昭企業有限公司
NEARSON ENTERPRISE CORP.

• TEL:886-2-2957-9823 • FAX:886-2-2957-9712
• <http://www.nearson.com.tw>

CWLD 系列連接器

Order information

CWL/CWLD	06	R	36A	98	P	W	F80
Series	Shell Type	Class	Shell Size	Contact Arrangement	Contact Type	Insert Position	Modification code

Series

Acc. To MIL-C-5015, MIL-C-22992

Shell Type

00 – Wall mounting receptacle

01 - Cable connecting plug

02 - Box mounting receptacle

06 - Straight plug

07 - Jam nut receptacle

B – Thru bulkhead receptacle (please consult factory)

Class

R – Environmental

Shell Size

Coupling tread diameter in 16 of an inch

CWL : 12S – 40(inch. 12S , 14S , 16S)

CWLD : 12 – 40(short versions 12S , 14S , 16S not available)

Contact Arrangement

如下列表格或洽佳昭公司

Contact Type

P – Pin ; S – Socket

Insert position

W , X , Y , Z (normal position does not require a suffix)

Modification Code

A36 – Contacts hard silver plated

A154 – Shells with cadmium and olive drab chromate on electroless nickel (conductive)

F80 – AWG crimp gold plated contacts

Standard shell finish is non-conductive hard anodic.



佳昭企業有限公司
NEARSON ENTERPRISE CORP.

• TEL:886-2-2957-9823 • FAX:886-2-2957-9712
• <http://www.nearson.com.tw>

Adapters – For Sealing and Strain-Relief

Order information

CW	13	A	1	A	2	B	03
Series	Adapter Size	Cable Rang	Termination	Finish	Protective Cap	Cap Attachment	Cable Range Code

Series

ITT Cannon designation

Adapter Size

12 , 13 , 15 , 17 , 19 , 21 , 23 , 26 , 30 , 34 , 38 , 42

Cable Rang

A – Standard range

B – Reduced range

C – Enlarged range

Termination

1 – Gland nut

2 – Gland nut with kellems grip

3 – Gland nut with cable clamp

Finish

A – Hard anodic, black

C – Cadmium and olive drab chromate plating over electroless Nickel

Protective Cap

1 – Without protective cap

2 – Protective cap with external thread

3 – Protective cap with internal thread

Cap Attachment

A – For adapters without protective cap

B – With sash chain

Cable Range Code

詳洽佳昭公司



佳昭企業有限公司
NEARSON ENTERPRISE CORP.

• TEL:886-2-2957-9823 • FAX:886-2-2957-9712
• <http://www.nearson.com.tw>

Polanordnungen / Contact Arrangements

Layout (nach Gehäusegrößen)	CWL	CWLD	Kontaktzahl	Kontaktgröße AWG	Anschlußquerschnitt AWG	Spannungsklasse nach IEC	Gewicht des Kontakteinsatzes/g mit Stift	Buchse
Layout (by shell sizes)	CWL	CWLD	No. of contacts	Contact size AWG	Wire size AWG	Class by IEC	Weight of insert/grams with Pin	Socket
12S-1 *	●		2	16S	16	A	4	6
12S-2 *	●		2	16S	16	A	4	6
12S-3	●		2	16S	16	A	4	6
12S-4	●		1	16S	16	D	4	6
12SA10 *	●		4	16S	16	A	6	8
12-5	●	●	1	12	12	D	6	8
14S-1	●		3	16S	16	A	6	9
14S-2	●		4	16S	16	Inst.	7	11
14S-4	●		1	16S	16	D	4	7
14S-5	●		5	16S	16	Inst.	9	13
14S-6	●		6	16S	16	Inst.	11	15
14S-7	●		3	16S	16	A	6	9
14S-9	●		2	16S	16	A	5	18
14S-10 *	●		4	16S	16	Inst.	7	11
14S-11 *	●		4	16S	16	Inst.	7	11
14S-12 *	●		3	16S	16	A	6	9
14S-13 *	●		3	16S	16	A	6	9
14S-14 *	●		4	16S	16	Inst.	7	11
14-1	●	●	3	16	16	A	-	-
14-6	●	●	6	16	16	Inst.	-	-
16S-1	●		7	16S	16	A	14	19
16S-4	●		2	16S	16	D	7	10
16S-5	●		3	16S	16	A	8	12
16S-8	●		5	16S	16	A	10	15
16S-15 *	●		2	16S	16	D	7	10
16S-16 *	●		2	16S	16	D	7	10
16SA18 *	●		7	16S	16	A	14	19
16SA19 *	●		7	16S	16	A	14	19
16SA20 *	●		7	16S	16	A	14	19
16SA21 *	●		7	16S	16	A	14	19
16-1	●	●	7	16	16	A	-	-
16-7	●	●	2	16	16	A	16	25
			1	8	8			
16-9	●	●	2	12	12	A	13	20
			2	16	16			
16-10	●	●	3	12	12	A	17	24
16-11	●	●	2	12	12	A	11	17
16-12	●	●	1	4	4	A	24	28
18-1	●	●	10	16	16	A (B, C, F, G) Inst. (alle and./all others)	24	37
18-3	●	●	2	12	12	D	13	22
18-4	●	●	4	16	16	D	19	30
18-5	●	●	2	12	12	D	15	25
			1	16	16			
18-6	●	●	1	4	4	D	24	32
18-7	●	●	1	8	8	B	20	28
18-8	●	●	1	12	12	A	18	30
			7	16	16			
18-9	●	●	2	12	12	Inst.	18	30
			5	16	16			
18-10	●	●	4	12	12	A	13	22
18-11	●	●	5	12	12	A	31	40
18-12	●	●	6	16	16	A	15	25
18-13	●	●	1	8	8	A	15	24
			3	12	12			
18-17 *	●	●	2	12	12	Inst.	15	23
			5	16	16			
18-19	●	●	10	16	16	A	19	31
18-20	●	●	5	16	16	A	15	25
18-21	●	●	3	12	12	A	17	28
18-22	●	●	3	16	16	D	10	20
18-23 *	●	●	10	16	16	A (B, C, F, G) Inst. (alle and./all others)	24	37
18-24 *	●	●	10	16	16	A (B, C, F, G) Inst. (alle and./all others)	24	37

* Spezialverdrehungen von Standard-Kontakteinsätzen s. Seite 19.
Special Insert Alternations see page 19.

Polanordnungen / Contact Arrangements

Layout (nach Gehäusegrößen)	CWL	CWLD	Kontaktzahl	Kontaktgröße AWG	Anschlußquerschnitt AWG	Spannungsklasse nach IEC	Gewicht des Kontakteinsatzes/g mit Stift	Buchse
Layout (by shell sizes)	CWL	CWLD	No. of contacts	Contact size AWG	Wire size AWG	Class by IEC	Weight of insert/grams with Pin	Socket
18-25 *	●	●	2	12	12	D	14	22
18-27 *	●	●	2 1	12 16	12 16	D	15	25
18A31 *	●	●	10	16	16	A (B, C, F, G) Inst. (alle and./all others)	24	37
20-2	●	●	1	0	0	D	46	55
20-3	●	●	3	12	12	D	-	-
20-4	●	●	4	12	12	D	24	40
20-6	●	●	3	16	16	D	22	36
20-7	●	●	8	16	16	A (C, D, E, F) D (A, B, H, G)	28	42
20-8	●	●	2 4	8 16	8 16	Inst.	37	49
20-11	●	●	13	16	16	Inst.	25	41
20-15	●	●	7	12	12	A	27	46
20-16	●	●	2 7	12 16	12 16	A	19	32
20-17	●	●	5 1	12 16	12 16	A	31	45
20-18	●	●	3 6	12 16	12 16	A	28	40
20-19	●	●	3	8	8	A	33	46
20-22	●	●	3 3	8 16	8 16	A	33	40
20-23	●	●	2	8	8	A	-	-
20-24	●	●	2 2	8 16	8 16	A	40	53
20-25 *	●	●	13	16	16	Inst.	25	41
20-27	●	●	14	16	16	A	26	42
20-29	●	●	17	16	16	A	29	47
20-30 *	●	●	13	16	16	Inst.	25	41
20-32 *	●	●	8	16	16	A (B, C, F, G) Inst. (alle and./all others)	28	42
20-33	●	●	11	16	16	A	23	38
20A9	●	●	9	12	12	D (J), Inst. (alle and./all others)	21	35
20A16 *	●	●	13	16	16	Inst.	25	41
20A37 *	●	●	4	12	12	D	26	39
20A48	●	●	19	16	16	Inst.	30	50
22-1	●	●	2	8	8	D	28	42
22-2	●	●	3	8	8	D	35	50
22-4	●	●	2 2	8 12	8 12	A	34	45
22-7	●	●	1	0	0	E	45	57
22-9	●	●	3	12	12	E	21	32
22-12	●	●	2 3	8 16	8 16	D	28	42
22-14	●	●	19	16	16	A	33	54
22-15	●	●	5 1	12 16	12 16	A (B, C, E, F) E (D)	30	50
22-19	●	●	14	16	16	A	28	47
22-20	●	●	9	16	16	A	22	39
22-21	●	●	1 2	0 16	0 16	A	-	-
22-22	●	●	4	8	8	A	42	58
22-23	●	●	8	12	12	D (H) A (alle and./all others)	34	54
22-27	●	●	1 8	8 16	8 16	A (A bis H) D (J)	21	34
22-28	●	●	7	12	12	A	39	54
22-30 *	●	●	19	16	16	A	33	54
24-2	●	●	7	12	12	D	33	53
24-7	●	●	2 14	12 16	12 16	A	45	65
24-9	●	●	2	4	4	A	45	60
24-10	●	●	7	8	8	A	65	85
24-11	●	●	3 6	8 12	8 12	A	55	75

* Spezialverdrehungen von Standard-Kontakteinsätzen s. Seite 19.
Special Insert Alternations see page 19.

Layout (nach Gehäusegrößen)	CWL	CWLD	Kontaktzahl	Kontaktgröße AWG	Anschlußquerschnitt AWG	Spannungsklasse nach IEC	Gewicht des Kontakteinsatzes/g mit Stift	Buchse
Layout (by shell sizes)	CWL	CWLD	No. of contacts	Contact size AWG	Wire size AWG	Class by IEC	Weight of insert/grams with Pin	Socket
24-12	●	●	2 3	4 12	4 12	A	60	80
24-19	●	●	12	16	16	A	28	47
24-20	●	●	2 9	12 16	12 16	D	40	60
24-22	●	●	4	8	8	D	44	61
24-28	●	●	24	16	16	Inst.	40	65
24A24 *	●	●	12	12	12	A	46	71
24A35 *	●	●	2 14	12 16	12 16	A	45	65
28-2	●	●	2 12	12 16	12 16	D	75	103
28-5	●	●	2 1 2	4 12 16	4 12 16	D	-	-
28-9	●	●	6 6	12 16	12 16	D	59	81
28-10	●	●	2 2 3	4 8 12	4 8 12	D (G) A (alle and./all others)	-	-
28-11	●	●	4 18	12 16	12 16	A	65	110
28-12	●	●	26	16	16	A	47	77
28-13 *	●	●	26	16	16	A	47	77
28-15	●	●	35	16	16	A	54	90
28-16	●	●	20	16	16	A (A-L) D (M, N, P) B (R)	41	68
28-20	●	●	10 4	12 16	12 16	A	65	110
28-21	●	●	37	16	16	A	58	93
28-22	●	●	3 3	4 16	4 16	D	80	120
28A16	●	●	4 5	4 16	4 16	A (e) Inst. (alle and./all others)	100	135
28A63	●	●	9 19	12 16	12 16	A	85	135
32-1	●	●	2 3	0 12	0 12	E (A) D (alle and./all others)	130	155
32-5	●	●	2	0	0	D	86	114
32-6	●	●	2 3 2 16	4 8 12 16	4 8 12 16	A	130	170
32-7	●	●	7 28	12 16	12 16	Inst. (A, B, h, j) A (alle and./all others)	110	160
32-8	●	●	6 24	12 16	12 16	A	105	155
32-9	●	●	2 12	4 16	4 16	D	-	-
32-13	●	●	5 18	12 16	12 16	D	95	145
32-15	●	●	2 6	0 12	0 12	D	140	165
32-16 *	●	●	2 3 2 16	4 8 12 16	4 8 12 16	A	130	170
32-17	●	●	4	4	4	D	80	116
32-19 *	●	●	2 3	0 12	0 12	E (A) D (alle and./all others)	130	155
32-20 *	●	●	2 3 2 16	4 8 12 16	4 8 12 16	A	130	170
32A10	●	●	54	16	16	A	49	122
32A29	●	●	2 3 2 16	4 8 12 16	4 8 12 16	A	130	155
32A30 *	●	●	2 3	0 12	0 12	E (A) D (alle and./all others)	130	155
32A62	●	●	9 2	8 12	8 12	-	-	-

* Spezialverdrehungen von Standard-Kontakteinsätzen s. Seite 19.

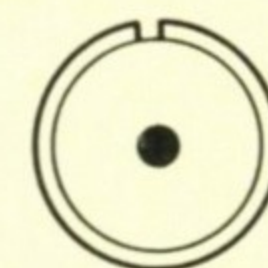
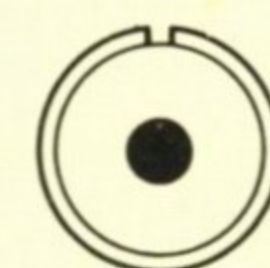
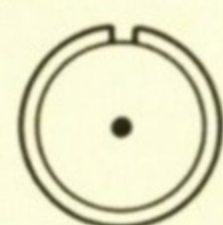
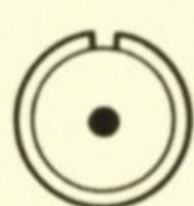
Special Insert Alternations see page 19.

Polanordnungen / Contact Arrangements

Layout (nach Gehäusegrößen)	CWL	CWLD	Kontaktzahl	Kontaktgröße AWG	Anschlußquerschnitt AWG	Spannungsklasse nach IEC	Gewicht des Kontakteinsatzes/g mit Stift	Buchse
Layout (by shell sizes)	CWL	CWLD	No. of contacts	Contact size AWG	Wire size AWG	Class by IEC	Weight of insert/grams with Pin	Socket
36-3	●	●	3 3	0 12	0 12	D	165	200
36-5	●	●	4	0	0	A	152	181
36-7	●	●	7 40	12 16	12 16	A	114	156
36-8	●	●	1 46	12 16	12 16	A	108	146
36-10	●	●	48	16	16	A	79	133
36-11 *	●	●	48	16	16	A	79	133
36-12 *	●	●	48	16	16	A	79	133
36-14	●	●	5 5 6	8 12 16	8 12 16	D	150	130
36-15	●	●	35	16	16	D (m) A (alle and./all others)	70	111
36A46	●	●	27	12	12	A	-	-
36A98	●	●	8 31	8 16	8 16	Inst.	160	240

* Spezialverdrehungen von Standard-Kontakteinsätzen s. Seite 19.
Special Insert Alternations see page 19.

1 Kontakt / Contact



Polbild / Contact arrangement
 Kontakte / Contacts/AWG
 Spannungsklasse / Class

12S-4
 1- #16S
 D

12-5
 1- #12
 D

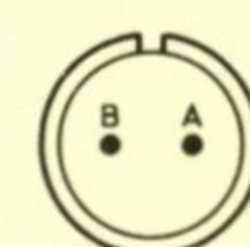
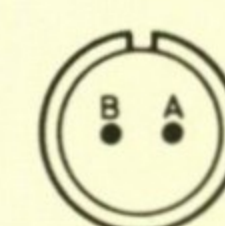
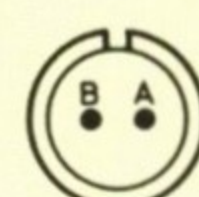
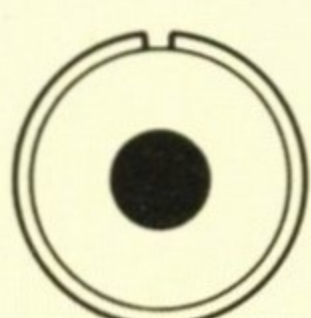
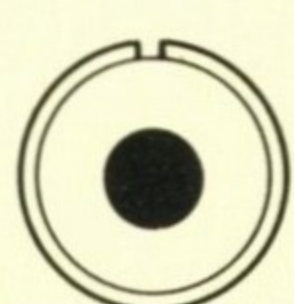
14S-4
 1- #16S
 D

16-12
 1- #4
 A

18-6
 1- #4
 D

18-7
 1- #8
 B

2 Kontakte / Contacts



Polbild / Contact Arrangement
 Kontakte / Contacts AWG
 Spannungsklasse / Class

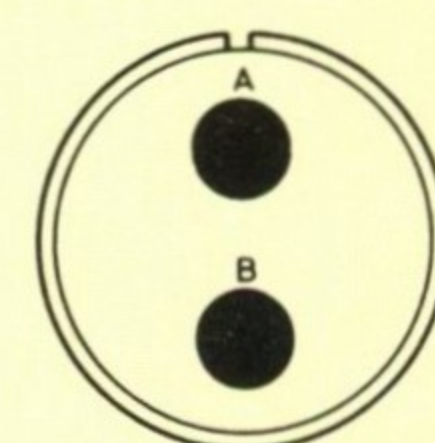
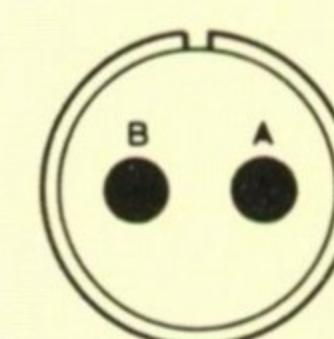
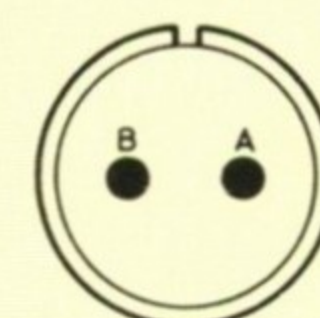
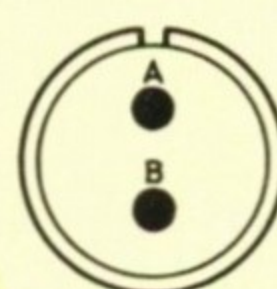
20-2
 1- #0
 D

22-7
 1- #0
 E

12S-3
 2- #16S
 A

14S-9
 2- #16S
 A

16S-4
 2- #16S
 D



Polbild / Contact arrangement
 Kontakte / Contacts/AWG
 Spannungsklasse / Class

16-11
 2- #12
 A

18-3
 2- #12
 D

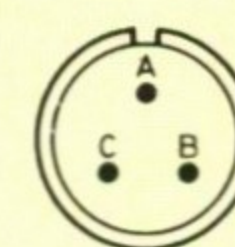
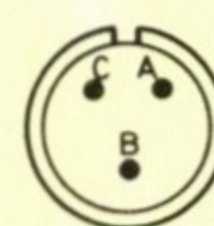
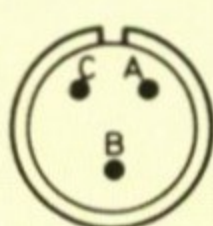
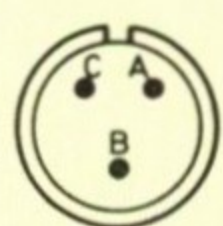
20-23
 2- #8
 A

22-1
 2- #8
 D

24-9
 2- #4
 A

32-5
 2- #0
 D

3 Kontakte / Contacts



Polbild / Contact arrangement
 Kontakte / Contacts/AWG
 Spannungsklasse / Class

14S-1
 3- #16S
 A

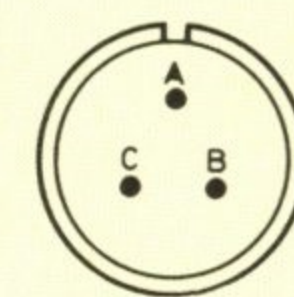
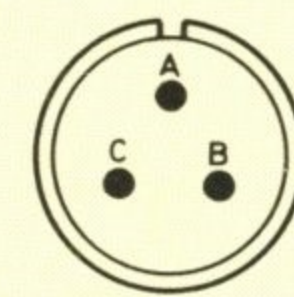
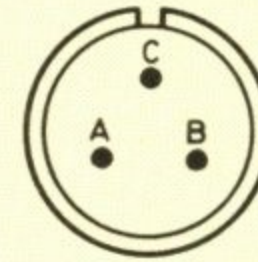
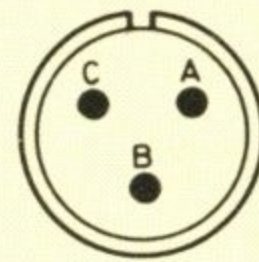
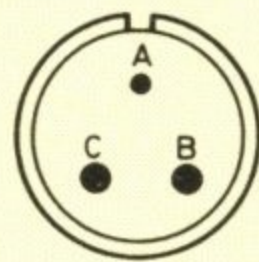
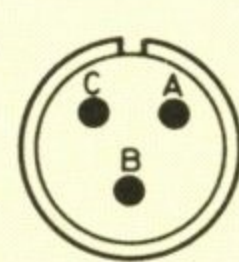
14-1
 3- #16
 A

14S-7
 3- #16S
 A

16S-5
 3- #16S
 A

16-7
 2- #16
 A

Polbilder / Contact Arrangements



Polbild / Contact arrangement

Kontakte / Contacts/AWG

Spannungsklasse / Class

16-10

3- # 12

A

18-5

1- # 16 (A)

D

18-21

3- # 12

A

18-22

3- # 16

D

20-3

3- # 12

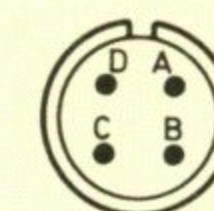
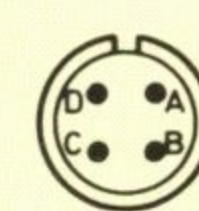
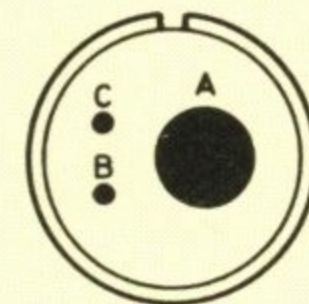
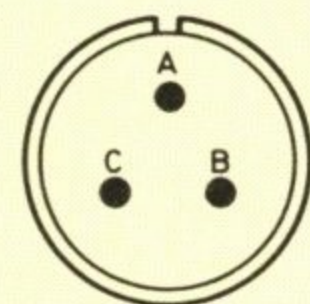
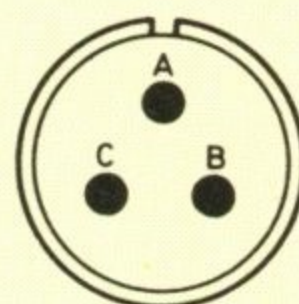
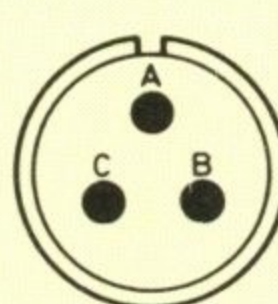
D

20-6

3- # 16

D

4 Kontakte / Contacts



Polbild / Contact arrangement

Kontakte / Contacts/AWG

Spannungsklasse / Class

20-19

3- # 8

A

22-2

3- # 8

D

22-9

3- # 12

E

22-21

2- # 16

1- # 0

A

12SA10

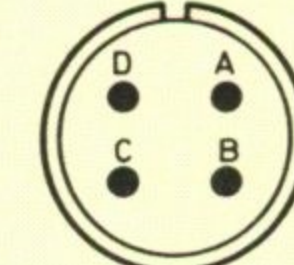
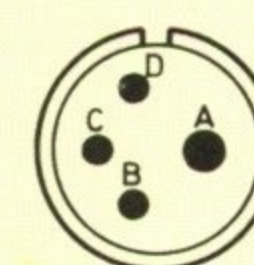
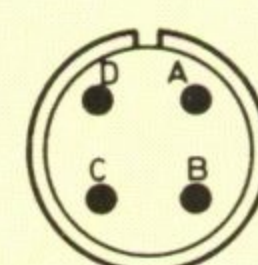
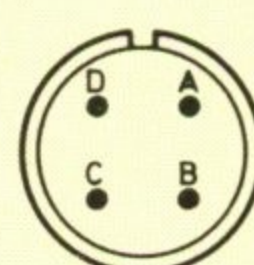
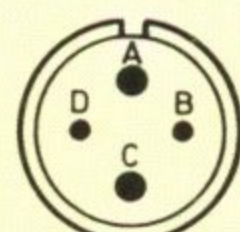
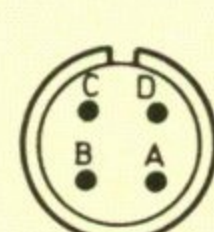
4- # 16S

A

14S-2

4- # 16S

Inst.



Polbild / Contact arrangement

Kontakte / Contacts/AWG

Spannungsklasse / Class

14S-10

4- # 16S

Inst.

16-9

2- # 16 (B,D)

A

18-4

4- # 16

D

18-10

4- # 12

A

18-13

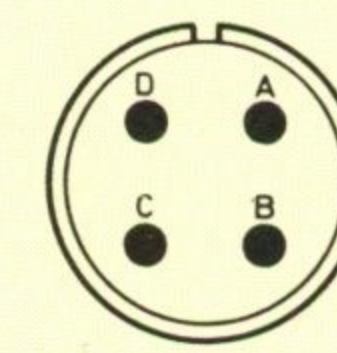
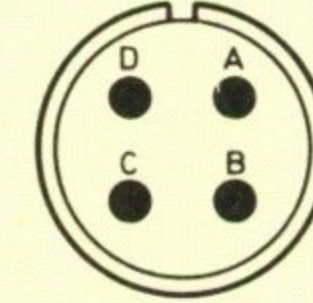
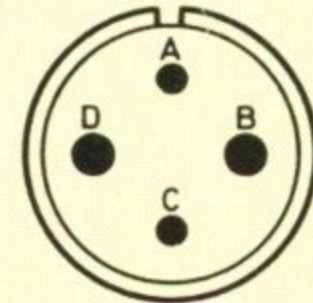
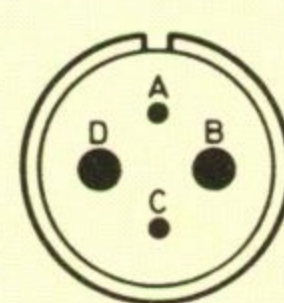
3- # 12 (B,C)

A

20-4

4- # 12

D



Polbild / Contact arrangement

Kontakte / Contacts/AWG

Spannungsklasse / Class

20-24

2- # 16 (A, C)

2- # 8

A

22-4

2- # 12 (A, C)

2- # 8 (B, D)

A

22-22

4- # 8

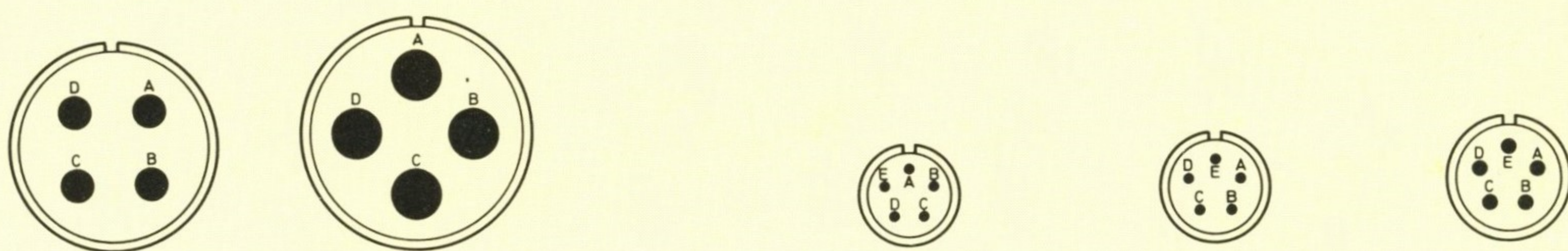
A

24-22

4- # 8

D

5 Kontakte / Contacts



Polbild / Contact arrangement
Kontakte / Contacts/AWG
Spannungsklasse / Class

32-17
4- # 4
D

36-5
4- # 0
A

14S-5
5- # 16S
Inst.

16S-8
5- # 16S
A

18-11
5- # 12
A

Polbild / Contact arrangement
Kontakte / Contacts/AWG

18-20
5- # 16

22-12
3- # 16 (A,C,D)
2- # 8 (B,E)

24-12
3- # 12 (B,D,E)
2- # 4 (A,C)

28-5
2- # 16
1- # 12
2- # 4
D

32-1
3- # 12 (A,C,D)
2- # 0 (B,E)

Spannungsklasse / Class

A

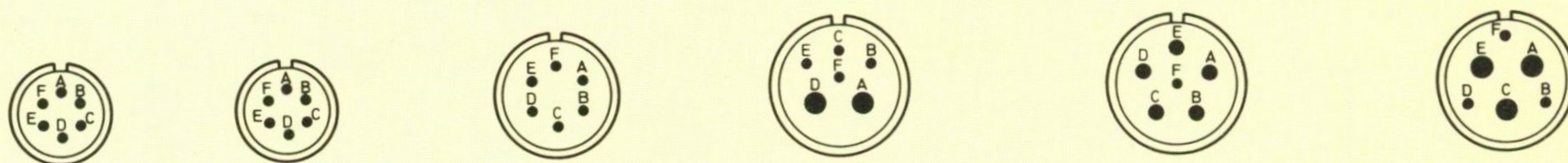
D

A

D

E (A), D (alle anderen)

6 Kontakte / Contacts



Polbild / Contact arrangement
Kontakte / Contacts/AWG

14S-6
6- # 16S

14-6
6- # 16

18-12
6- # 16

20-8
4- # 16 (B,C,E,F)
2- # 8 (A,D)
Inst.

20-17
1- # 16 (F)
5- # 12 (A-E)
A

20-22
3- # 16 (B, D, F)
3- # 8 (A, C, E)

Spannungsklasse / Class

Inst.

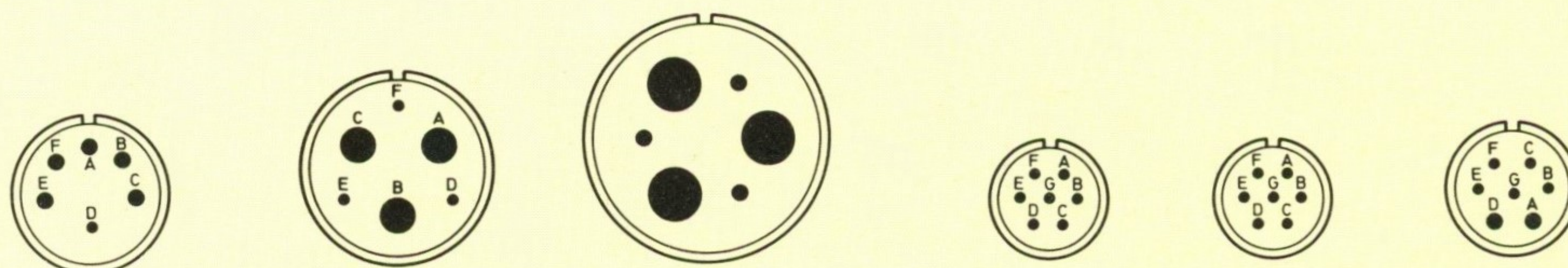
Inst.

A

Inst.

A

7 Kontakte / Contacts



Polbild / Contact arrangement
Kontakte / Contacts AWG

22-15
1- # 16 (D)
5- # 12 (A, B, C, E, F)
A (A, B, C, E, F)
E (D)

28-22
3- # 16 (D-F)
3- # 4 (A-C)
D

36-3
3- # 0
3- # 12
D

16S-1
7- # 16S
A

16-1
7- # 16
A

18-9
5- # 16 (B,C,E-G)
2- # 12 (A,D)
Inst.

Spannungsklasse / Class

A (A, B, C, E, F)
E (D)

D

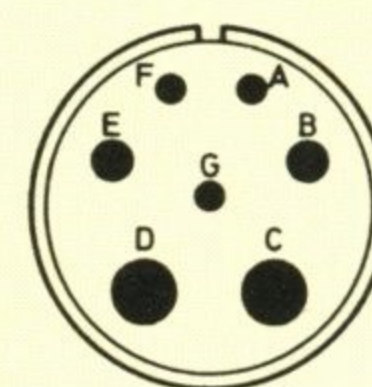
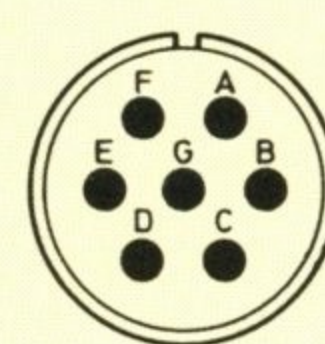
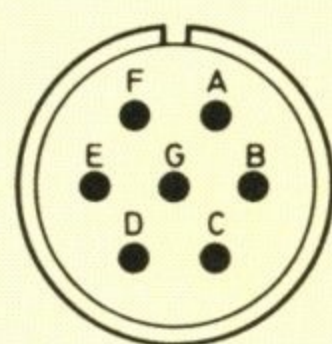
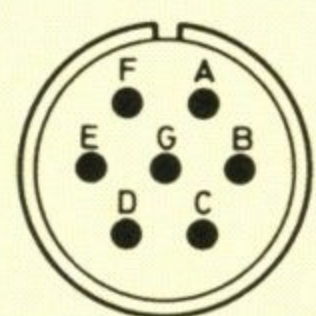
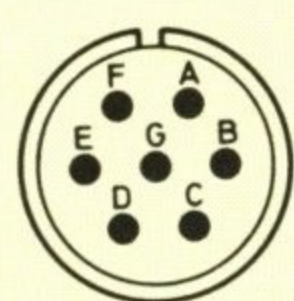
D

A

A

Inst.

Polbilder / Contact Arrangements



Polbild / Contact arrangement

20-15

22-28

24-2

24-10

28-10

Kontakt / Contacts/AWG

7- #12

7- #12

7- #12

7- #8

3- #12

2- #8

2- #4

Spannungsklasse / Class

A

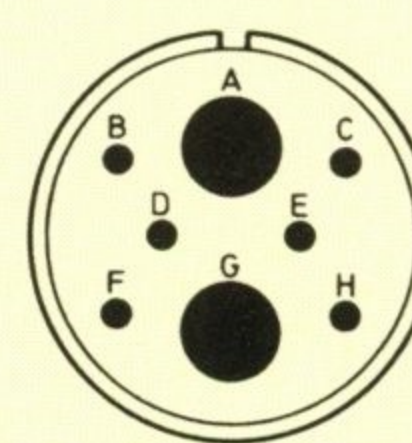
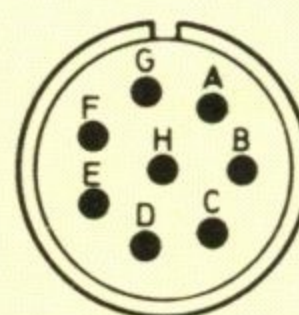
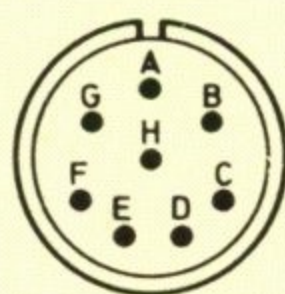
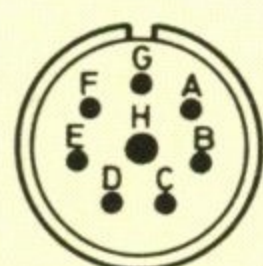
A

D

A

D

8 Kontakte / Contacts



Polbild / Contact arrangement

18-8

20-7

22-23

32-15

Kontakte / Contacts/AWG

7- #16 (A-G)

8- #16

8- #12

6- #12

1- #12 (H)

A (C-F) D (A,B,G,H)

D (H), A (alle anderen)

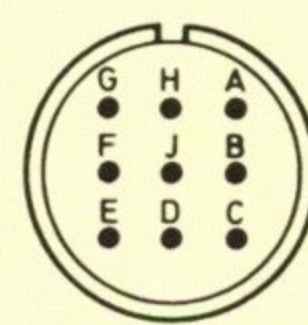
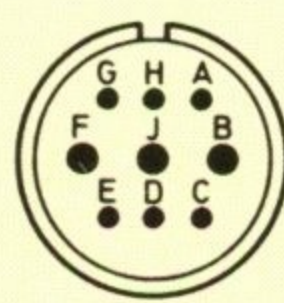
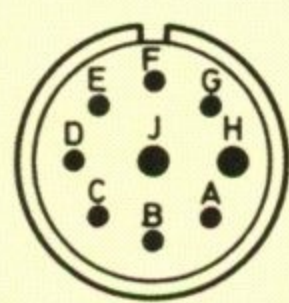
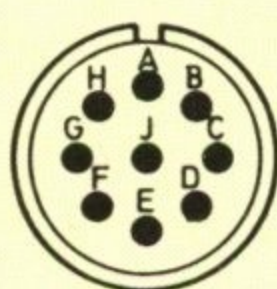
2- #0

D

Spannungsklasse / Class

A

9 Kontakte / Contacts



Polbild / Contact arrangement

20A9

20-16

20-18

22-20

22-27

Kontakte / Contacts/AWG

9- #12

7- #16

6- #16 (A, C-E, G, H)

9- #16

8- #16 (A-H)

3- #8 (D-F)

2- #12

3- #12 (B, F, I)

D (J)

A

A

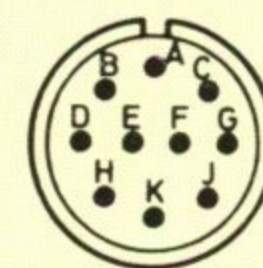
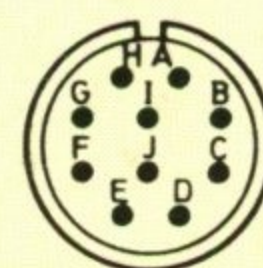
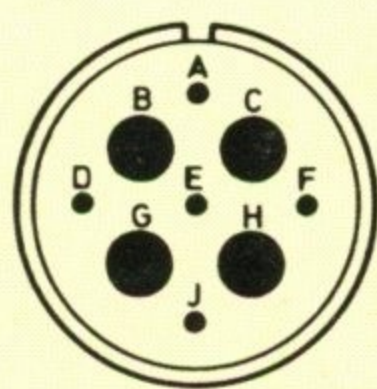
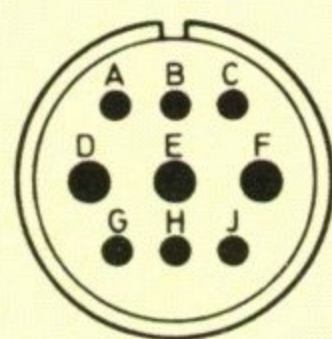
A

D (I), A (alle anderen)

Spannungsklasse / Class

Inst. (alle and.)

10 Kontakte / Contacts



Polbild / Contact arrangement

24-11

28A16

18-1

18-19

Kontakte / Contacts/AWG

6- #12

5- #16 (A,D-F,J)

10- #16

10- #16

3- #8 (D-F)

4- #4 (B,C,G,H)

A (B,C,F,G)

A

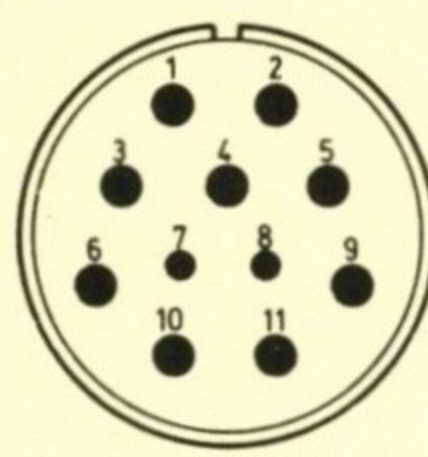
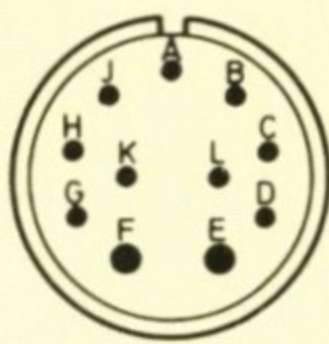
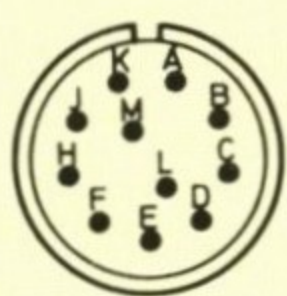
Spannungsklasse / Class

A

A

Inst. (alle anderen)

11 Kontakte / Contacts



Polbild / Contact arrangement

Kontakte / Contacts/AWG

Spannungsklasse / Class

20-33

11- # 16

A

24-20

9- # 16 (A-D, G-L)

2- # 12 (E,F)

D

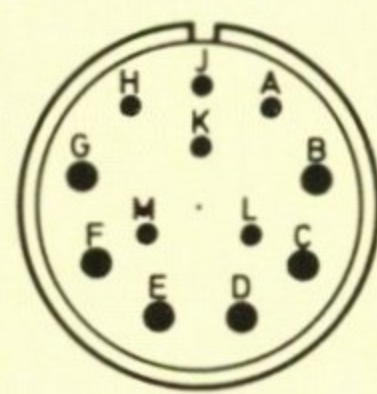
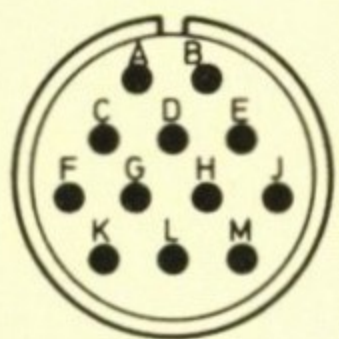
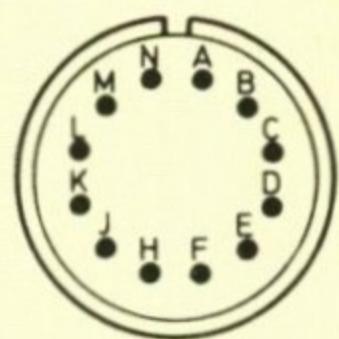
32A62

9- # 8

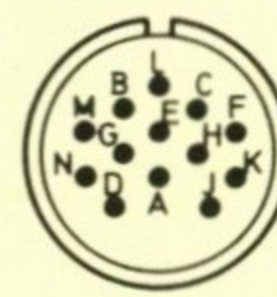
2- # 12

-

12 Kontakte / Contacts



13 Kontakte / Contacts



Polbild / Contact arrangement

Kontakte / Contacts/AWG

Spannungsklasse / Class

24-19

12- # 16

A

24A24

12- # 12

A

28-9

6- # 12

6- # 16

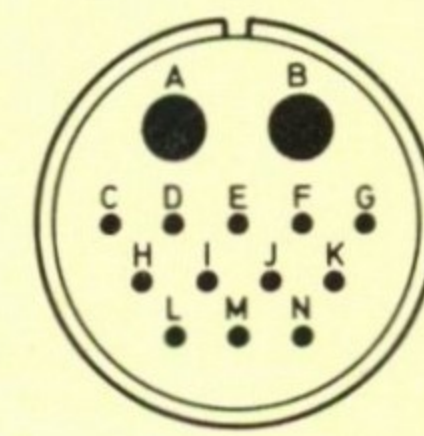
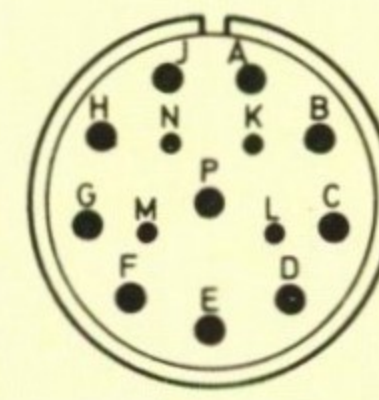
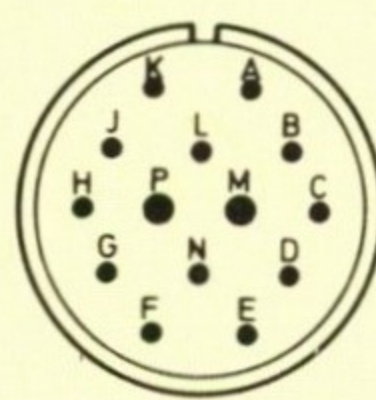
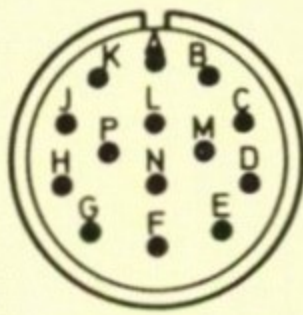
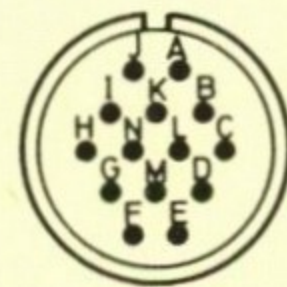
D

20-11

13- # 16

Inst.

14 Kontakte / Contacts



Polbild / Contact arrangement

Kontakte / Contacts/AWG

Spannungsklasse / Class

20-27

14- # 16

A

22-19

14- # 16

A

28-2

12- # 16 (A, L, N)

2- # 12 (M, P)

D

28-20

4- # 16 (K-N)

10- # 12 (A-J, P)

A

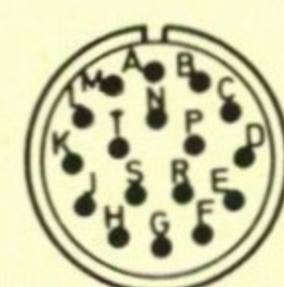
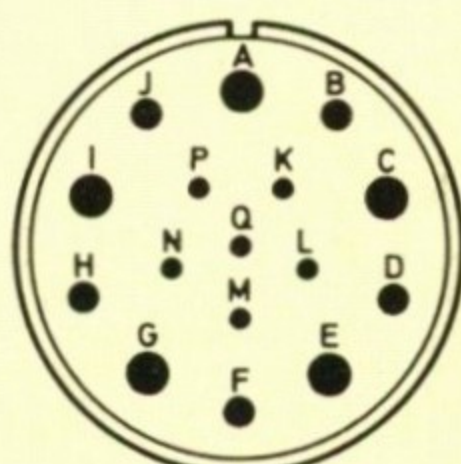
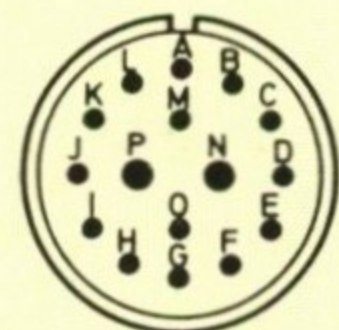
32-9

12 # 16 (C-N)

2- # 4 (A, B)

D

16 Kontakte / Contacts



Polbild / Contact arrangement

Kontakte / Contacts/AWG

Spannungsklasse / Class

24-7

14- # 16 (A-M, O)

2- # 12 (P,N)

A

36-14

6- # 16

5- # 12

5- # 8

D

20-29

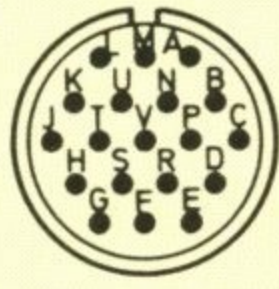
17- # 16

A

17 Kontakte / Contacts

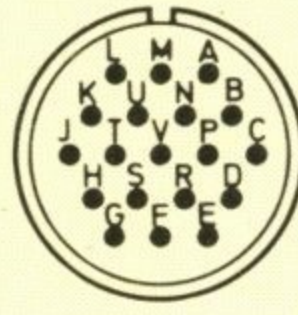
Polbilder / Contact Arrangements

19 Kontakte / Contacts

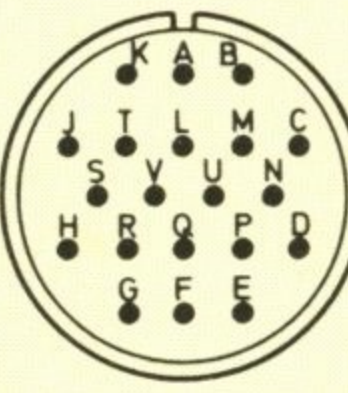


Polbild / Contact arrangement
Kontakte / Contacts/AWG
Spannungsklasse / Class

20A48
19- # 16
Inst.



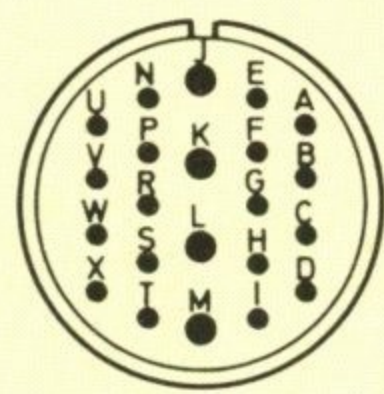
22-14
19- # 16
A



20 Kontakte / Contacts

28-16
20- # 16
A (A-L)
D (M, N, P)
B (R)

22 Kontakte / Contacts



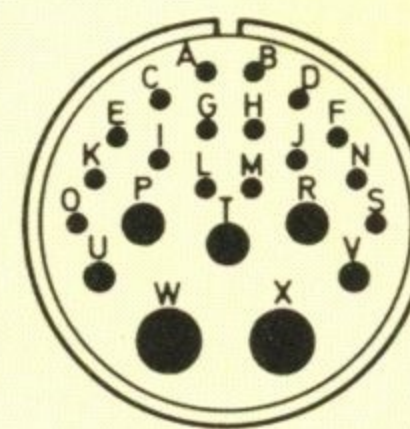
Polbild / Contact arrangement
Kontakte / Contacts/AWG

28-11
18- # 16 (A-I, N-X)
4- # 12 (L-M)

Spannungsklasse / Class

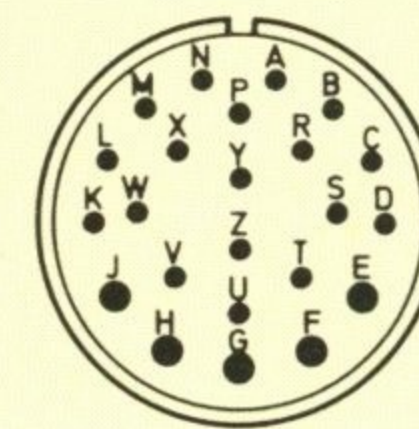
A

23 Kontakte / Contacts



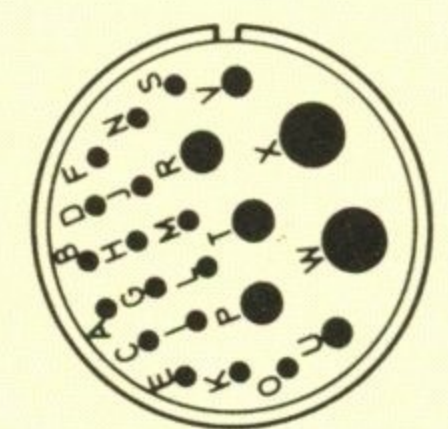
32-6
16- # 16 (A-O, S)
2- # 12 (U, V)
3- # 8 (P-I),
2- # 4 (W, X)

A



32-13
18- # 16
5- # 12

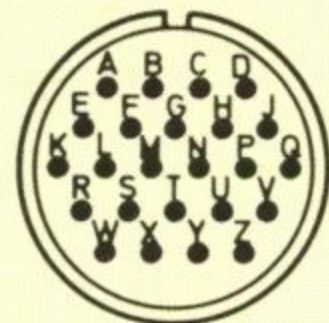
D



32A29
16- # 16
2- # 12
3- # 8
2- # 4

A

24 Kontakte / Contacts



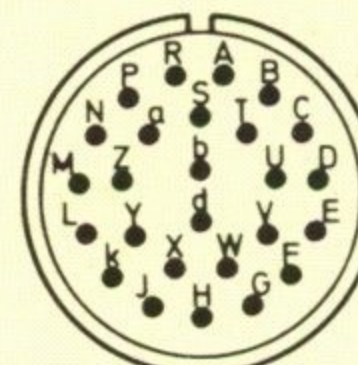
Polbild / Contact arrangement
Kontakte / Contacts/AWG

24-28
24- # 16

Spannungsklasse / Class

Inst.

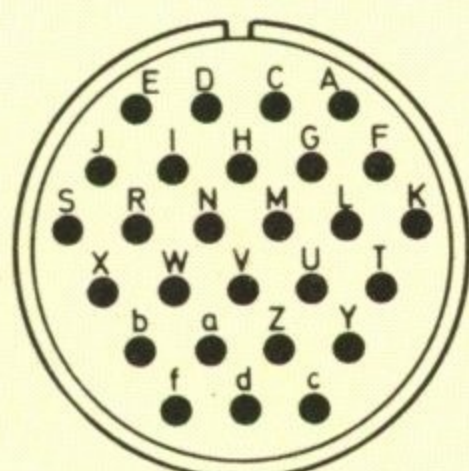
26 Kontakte / Contacts



28-12
26- # 16

A

27 Kontakte / Contacts



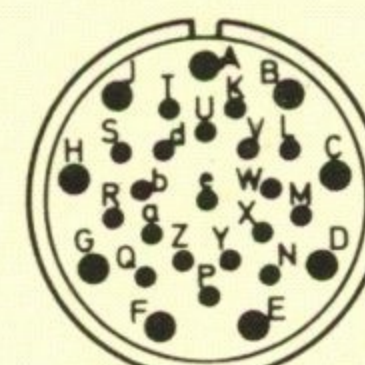
Polbild / Contact arrangement
Kontakte / Contacts/AWG

36A46
27- # 12

Spannungsklasse / Class

A

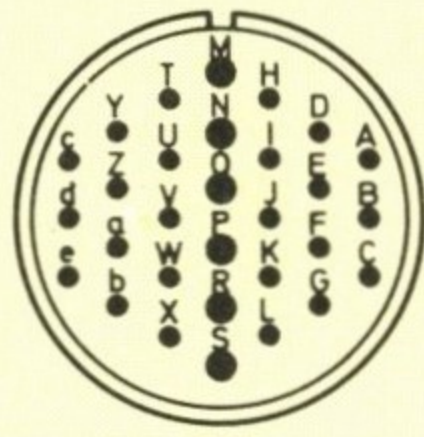
28 Kontakte / Contacts



28A63
19- # 16
9- # 12

A für e, Inst. (alle anderen)

30 Kontakte / Contacts

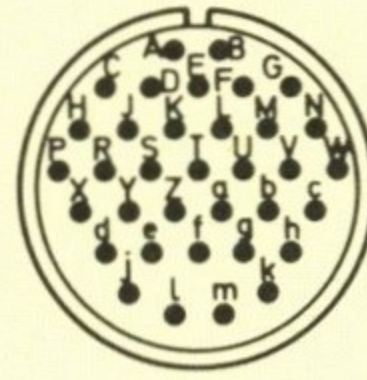


Polbild / Contact arrangement
Kontakte / Contacts/AWG

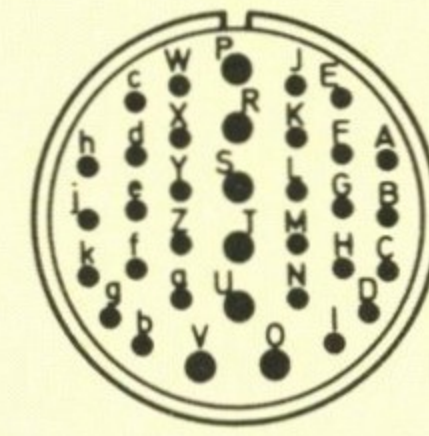
32-8
24- # 16 (A-L, T-Z, a-e)
6- # 12 (M-S)
A

Spannungsklasse / Class

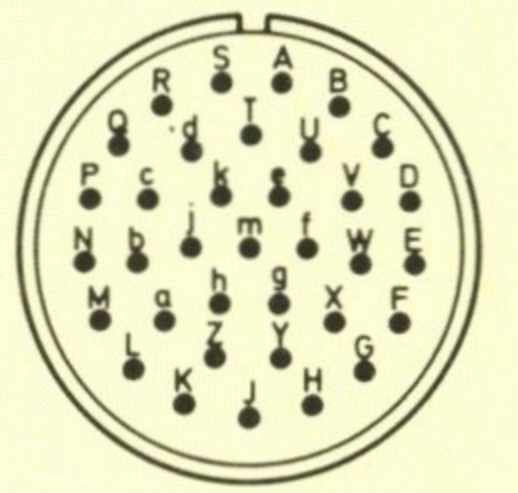
35 Kontakte / Contacts



28-15
35- # 16
A

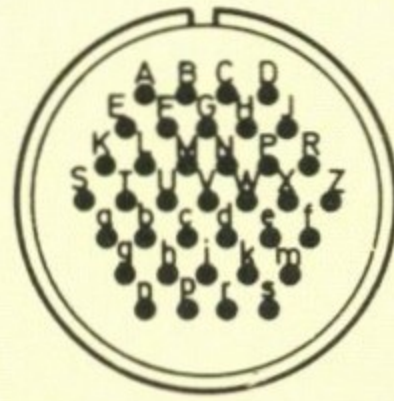


32-7
28- # 16 (A-N, W-Z, a-k)
7- # 12 (O-V)
Inst. (A,B,h,j)
A (alle anderen)



36-15
35- # 16
D (m), A (alle anderen)

37 Kontakte / Contacts



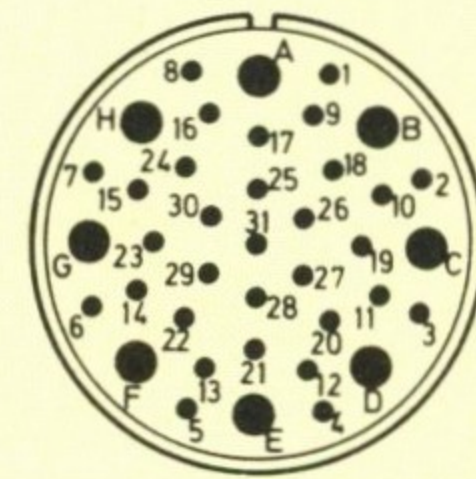
Polbild / Contact arrangement
Kontakte / Contacts/AWG

28-21
37- # 16

Spannungsklasse / Class

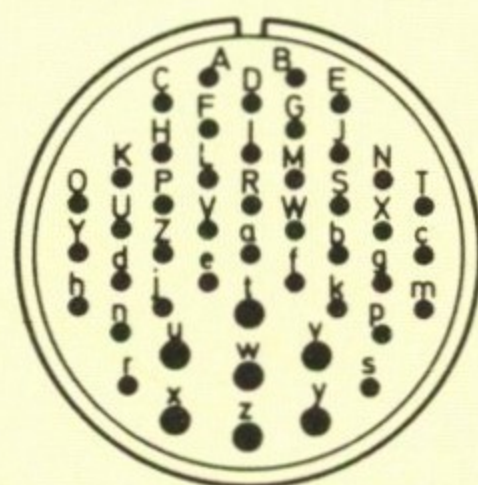
A

39 Kontakte / Contacts



36A98
31- # 16
8- # 8
Inst.

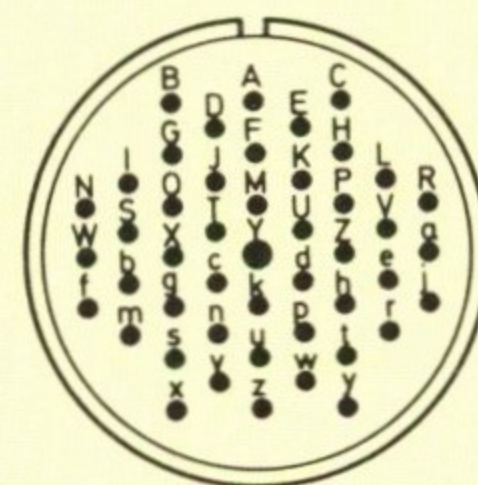
47 Kontakte / Contacts



Polbild / Contact arrangement
Kontakte / Contacts/AWG

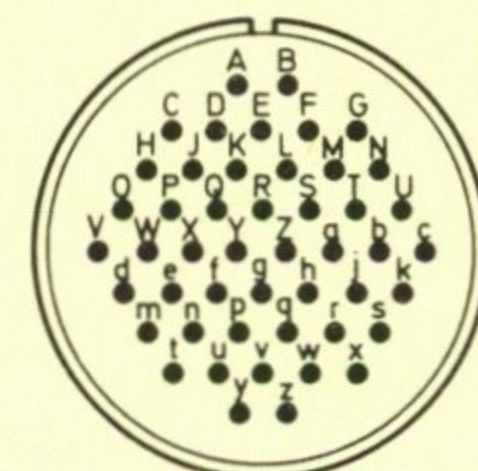
36-7
40- # 16 (A-Z, a-s)
7- # 12 (t-z)
A

Spannungsklasse / Class



36-8
46- # 16 (A-X, Z-z)
1- # 12 (y)
A

48 Kontakte / Contacts



36-10
48- # 16
A

54 Kontakte / Contacts



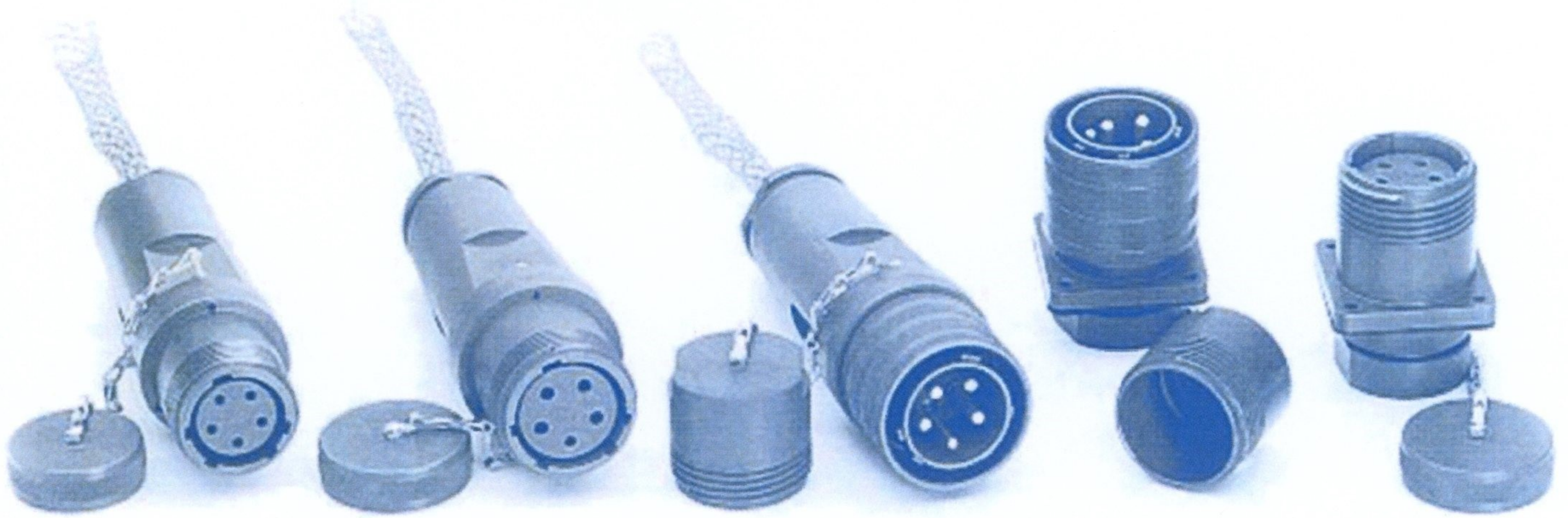
Polbild / Contact arrangement
Kontakte / Contacts/AWG

32A10
54- # 16

Spannungsklasse / Class

A

MIL-C-22992 Class L



MIL-C-22992- CLASS L

How to order.....	2
Contact Arrangements.....	3
Alternate Insert Rotation	5
MS90555 Wall Mount Receptacle.....	6
MS90556 Straight Plug	7
MS90557 Cable Connecting Receptacle.....	8
MS90558 Wall Mount Plug	9
Accessories	10
Contacts	10
MS3348 Contact Bushing	10
MS90562 Contact Removal Tool.....	10
MS90561 Cable Strain Relief.....	11
MS23747 Cable Sealing Gland	11
MS90563 Protective Covers	12
MS90564 Protective Covers	12

MIL-C-22992 Class L

How to order

PART NUMBER

<u>MS90555</u>	<u>C</u>	<u>32</u>	<u>4</u>	<u>12</u>	<u>S</u>	<u>Y</u>
1	2	3	4	5	6	7

- MS Number-**
 MS90555 designates wall mount receptacle (power source)
 MS90556 designates straight plug
 MS90557 designates cable connecting receptacle without coupling ring
 MS90558 designates wall mount plug with coupling ring (equipment end)
- Shell Finish** -C (conductive) for AC or N (nonconductive) for DC circuit

Grounding Assemblies : Finish C

Non-grounding Assemblies : Finish N

Shell size	Current Rating Amps	Shell Master Key / Keyway Position							Shell size	Current Rating Amps	Current Rating Amps	
		60Hz & 400Hz										DC
		1 Phase			3 Phase							
		2 Wire		3 Wire	3 Wire	3 Wire						
120 VAC	240 VAC	120/240 VAC	450/480 VAC	120/208 VAC	240/416 VAC	277/480 VAC	2 Wire					
								28 VDC				
28	40	4(120°)	5(135°)	4(120°)	---	4(120°)	5(135°)	6(150°)	28	40	N(105°)	
32	60	4(120°)	5(135°)	4(120°)	---	4(120°)	5(135°)	6(150°)	32	60	N(105°)	
44	100	4(120°)	---	4(120°)	1(60)	4(120°)	5(135°)	6(150°)	44	100	N(105°)	
52	200	---	---	4(120°)	---	4(120°)	5(135°)	6(150°)	52	200	N(105°)	

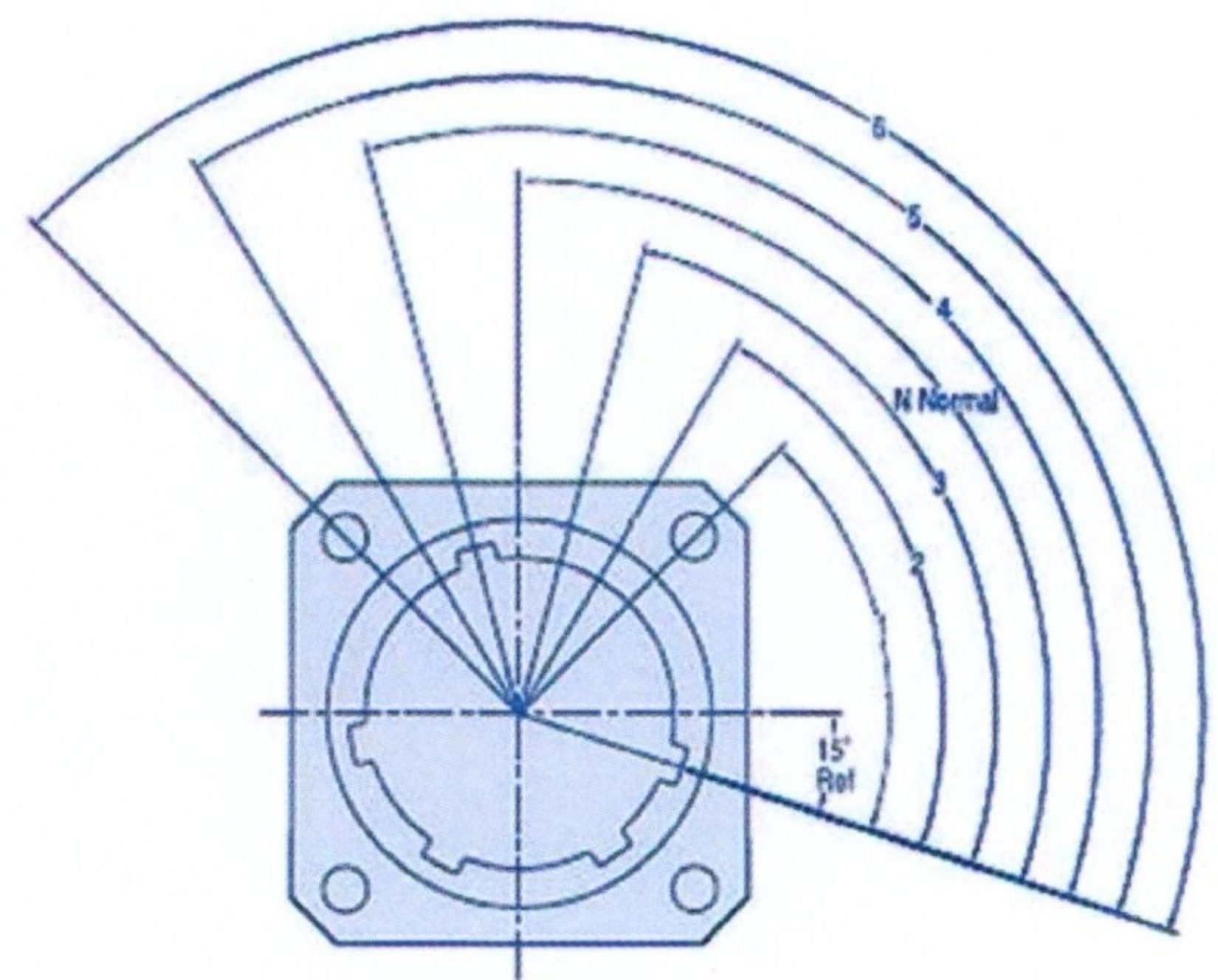
- Shell Size** - related directly to current carrying capability.
 Size 28-40 amperes
 Size 32-60 amperes
 Size 44-100 amperes
 Size 52-200 amperes

- Master Key / Keyway Position** - N designates normal position. Positions 1, 4, 5 and 6 of the master key/keyway prevent cross-mating of incompatible voltages. Refer to the adjacent illustration

- Insert Arrangement** - determined by connector size (current carrying capability) and cable configuration to be accommodated. Refer to pages 5 & 6

- Contact Type** - P for pin, S for socket. MS90555 and MS90557 are supplied with socket contacts only. MS90556 and MS90558 are supplied with pin contacts only.

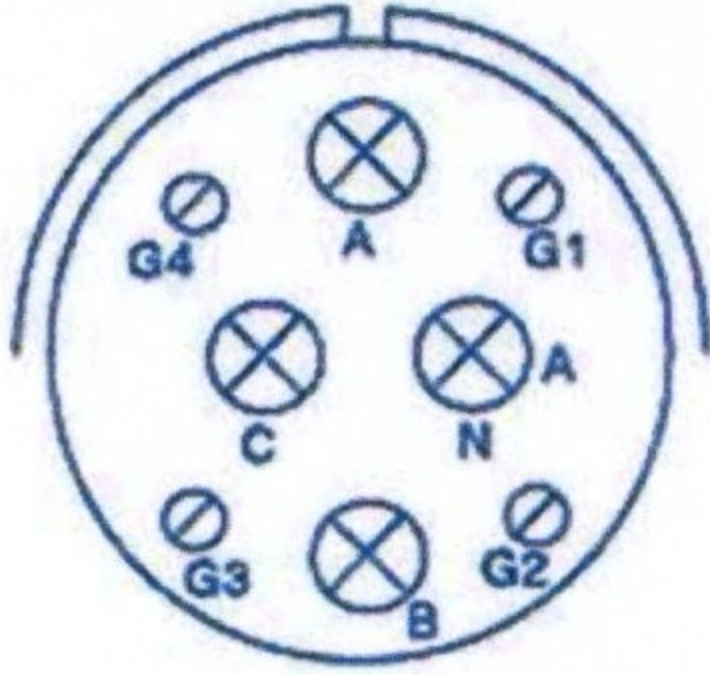
- Alternate Insert Rotation** - used to prevent cross-mating of incompatible frequencies. Absence of a letter in this space indicates normal (0) position of the insert. Refer to page 7.



MIL-C-22992 Class L

Contact Arrangements

Shell Size 44, 100 amp rating



44-12, 44-13
Three phase AC, 4 wire, grounding

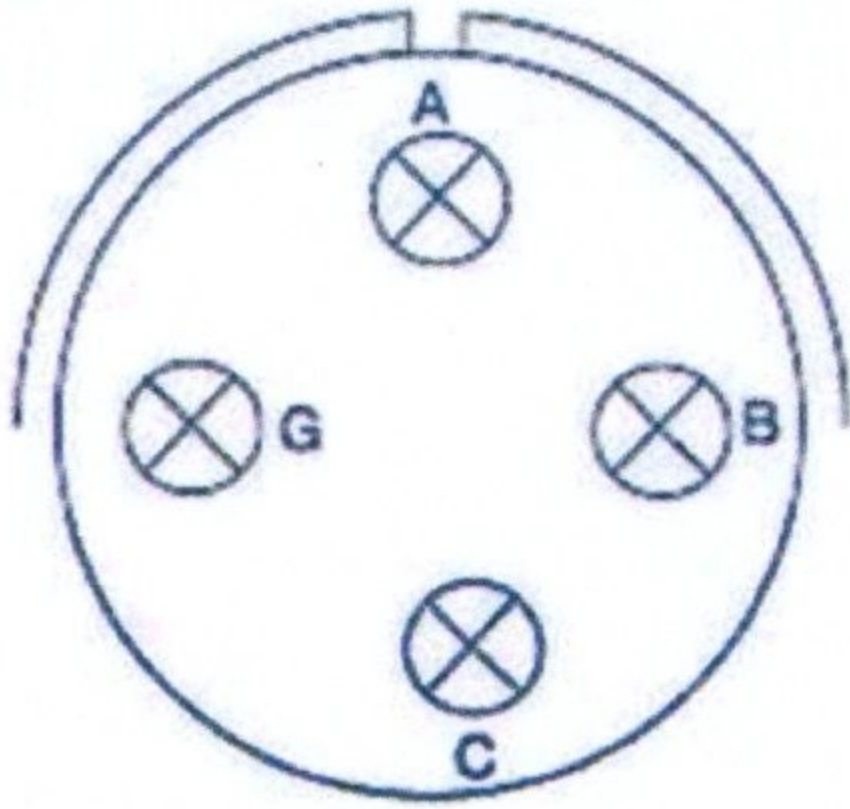
Cable:

44-12	IPCEA, type G, round, four #2 conductors
44-13	CO-04 HDF, (4/1-4/8R) 1620 per MIL-C-3432

Contacts:

Position	Size	Pin M39029/48	Socket M39029/49
A,B,C	1/0-1	-323	-333
N	1/0N-1	-324	-333
G1, G2, G3, G4	6G	-319	-333

Shell Size 44, 100 amp rating
For Navy Ground Support
Equipment use only.



44-50, 44-51, 44-52, 44-56
Three phase AC, 4 wire, grounding

44-50 Available in MS90555 & MS90558 only
4 each # 1 conductors

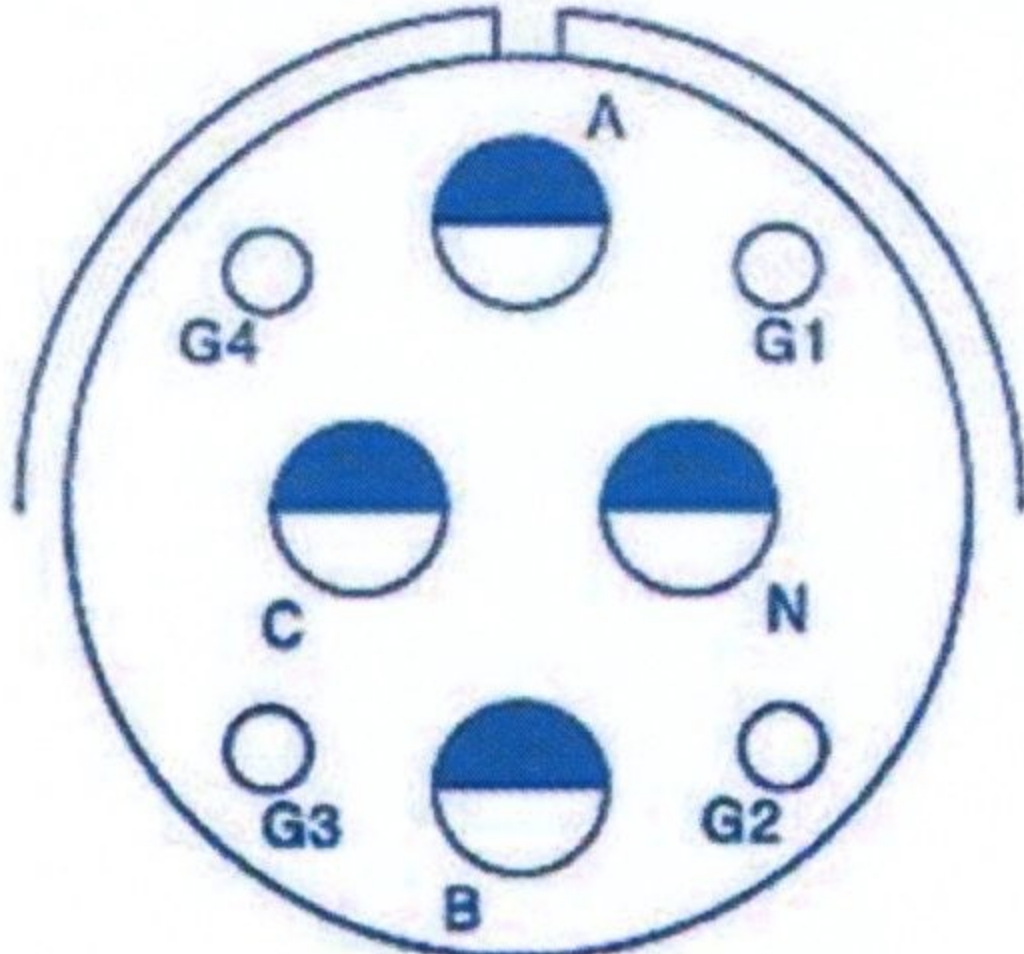
Cable:

44-51	Available in MS90556 & MS90557 only IPCEA, type W, round, four # 1 conductors
44-52	Available in MS90556 only IPCEA, type W, round, four # 2 conductors
44-56	Available in MS90556 only IPCEA, type W, round, four # 6 conductors

Contacts:

Position	Size	Pin M39029/48	Socket M39029/49
A,B,C	1/0-1	-323	-333
G	1/0N-1	-324	-333

Shell Size 52, 200 amp rating



52-12, 52-13
Three phase AC, 4 wire, grounding

Cable:

52-12	IPCEA, type G, round, four #4/0 conductors
52-13	CO-04 HDF, (4/0000-4/4R) 2380 per MIL-C-3432

Contacts:

Position	Size	Pin M39029/48	Socket M39029/49
A,B,C	4/0	-327	-335
N	4/0N	-328	-335
G1, G2, G3, G4	4G	-322	-332

CONTACT SIZE CODE

⊗ = #6 ○ = #4 ⊗ = #1/0 ◐ = #4/0

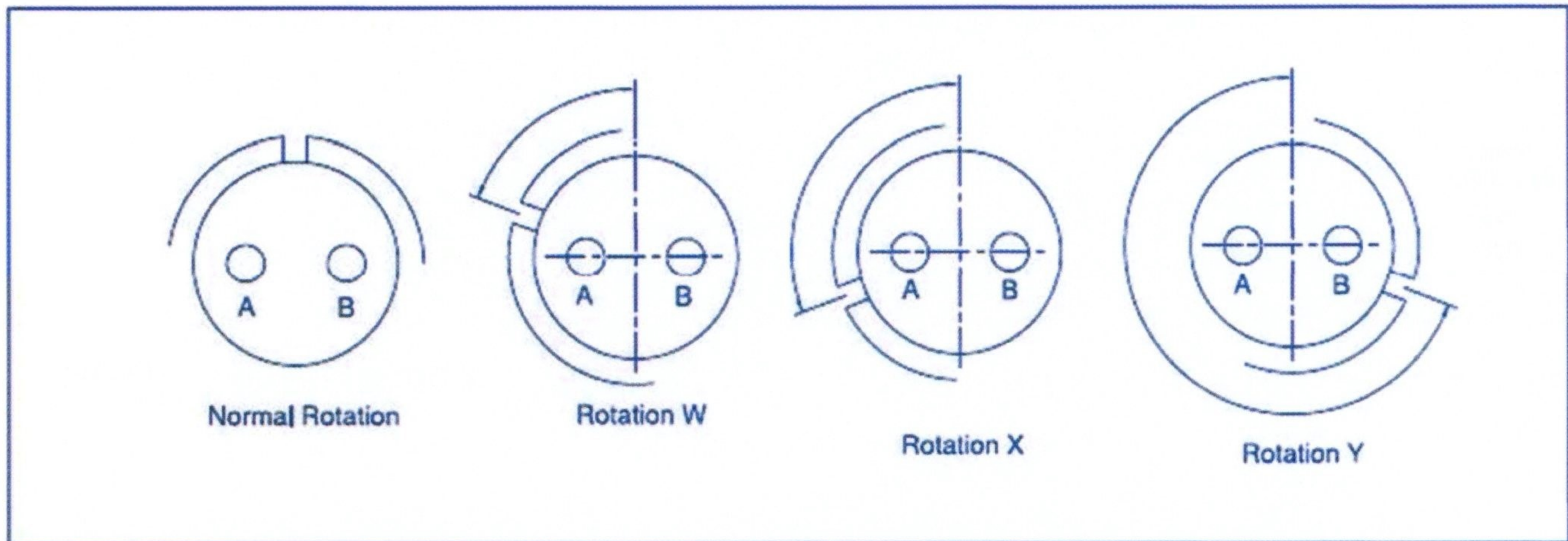
MIL-C-22992 Class L

• Alternate Insert Rotation

To avoid cross-plugging problems in applications requiring the use of more than one connector of the same size and arrangement, alternate insert rotations are available as indicated in the accompanying chart.

As shown in the diagram below, the front face of the pin insert is rotated within the shell in a clockwise direction from the normal shell key.

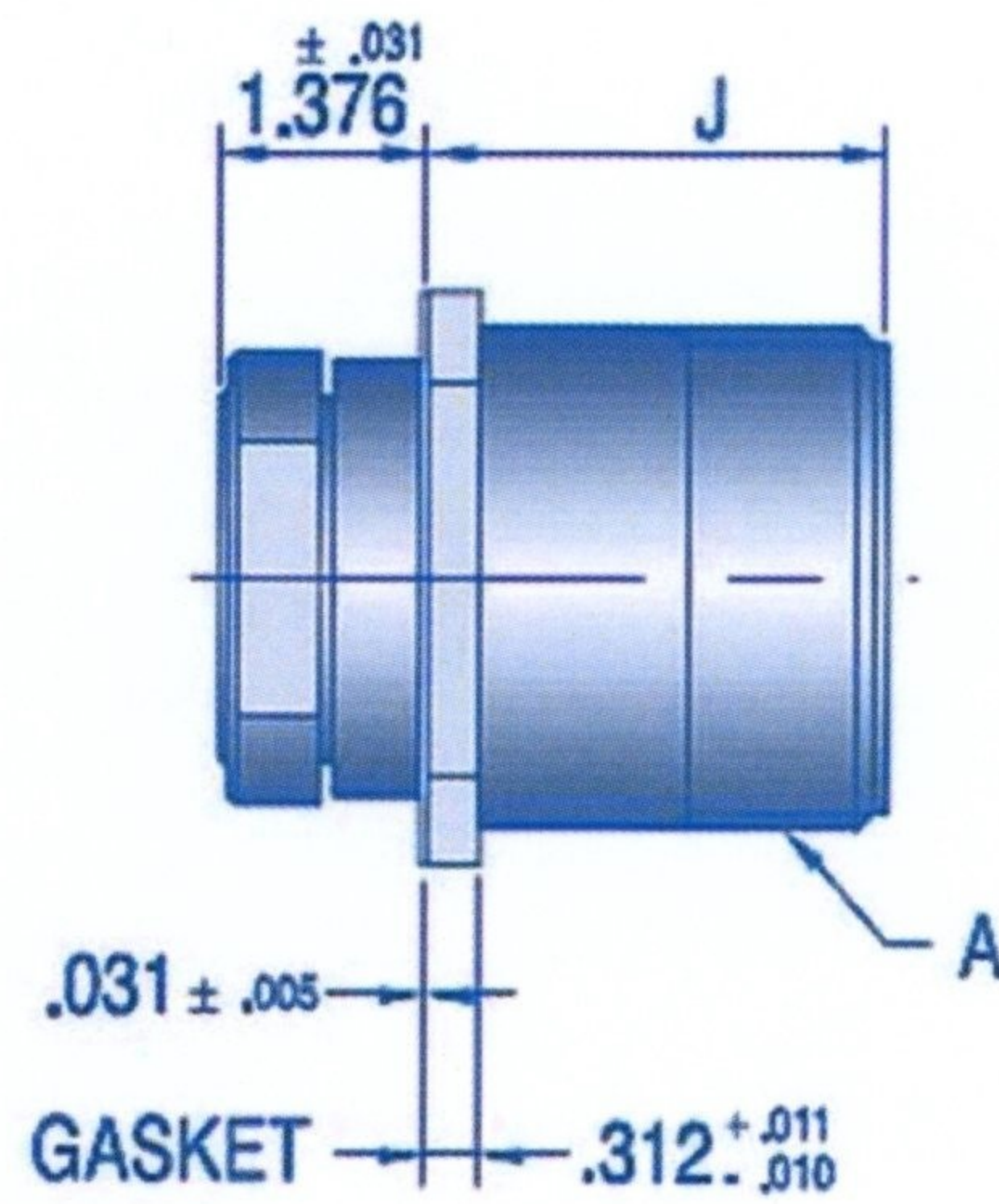
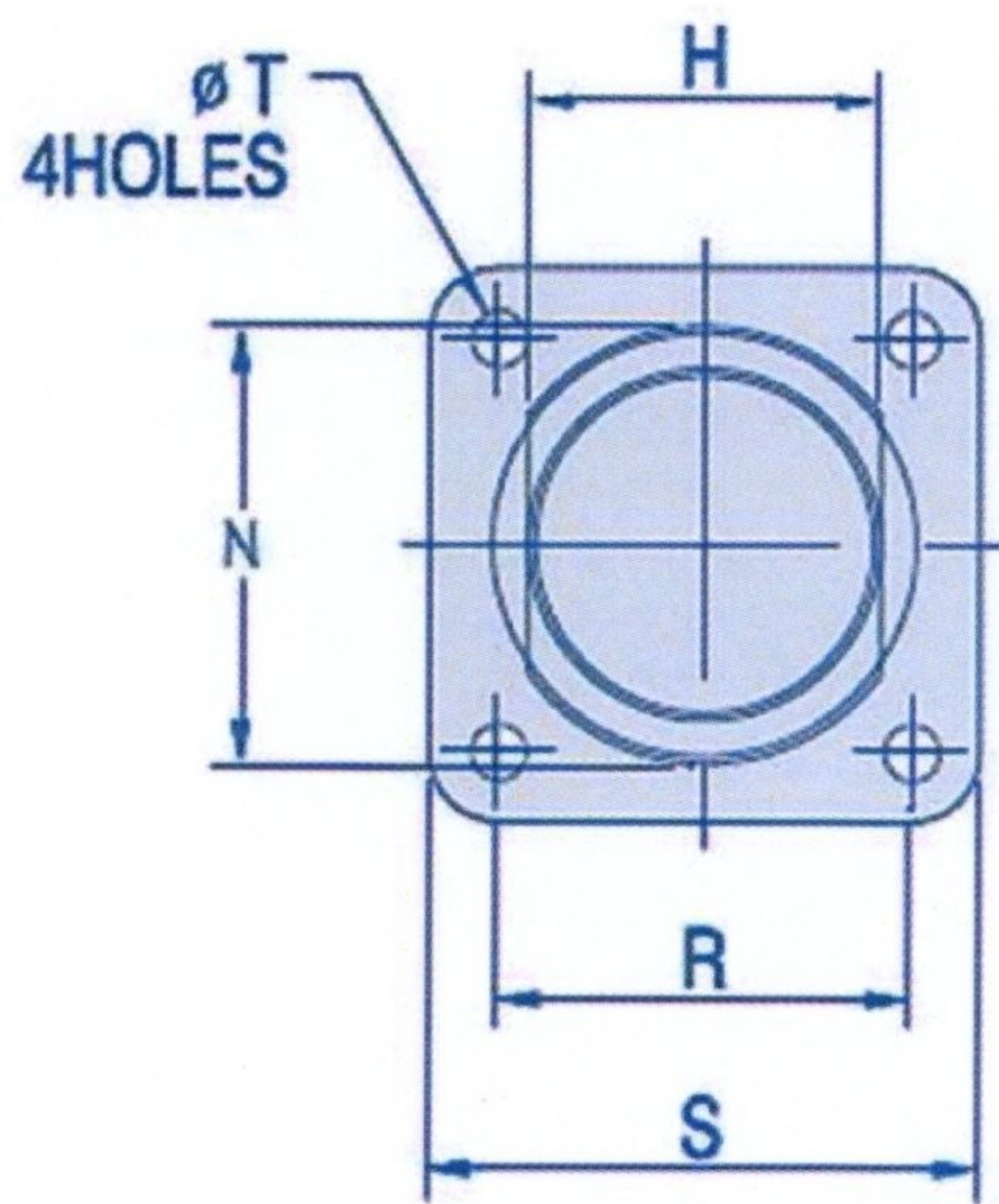
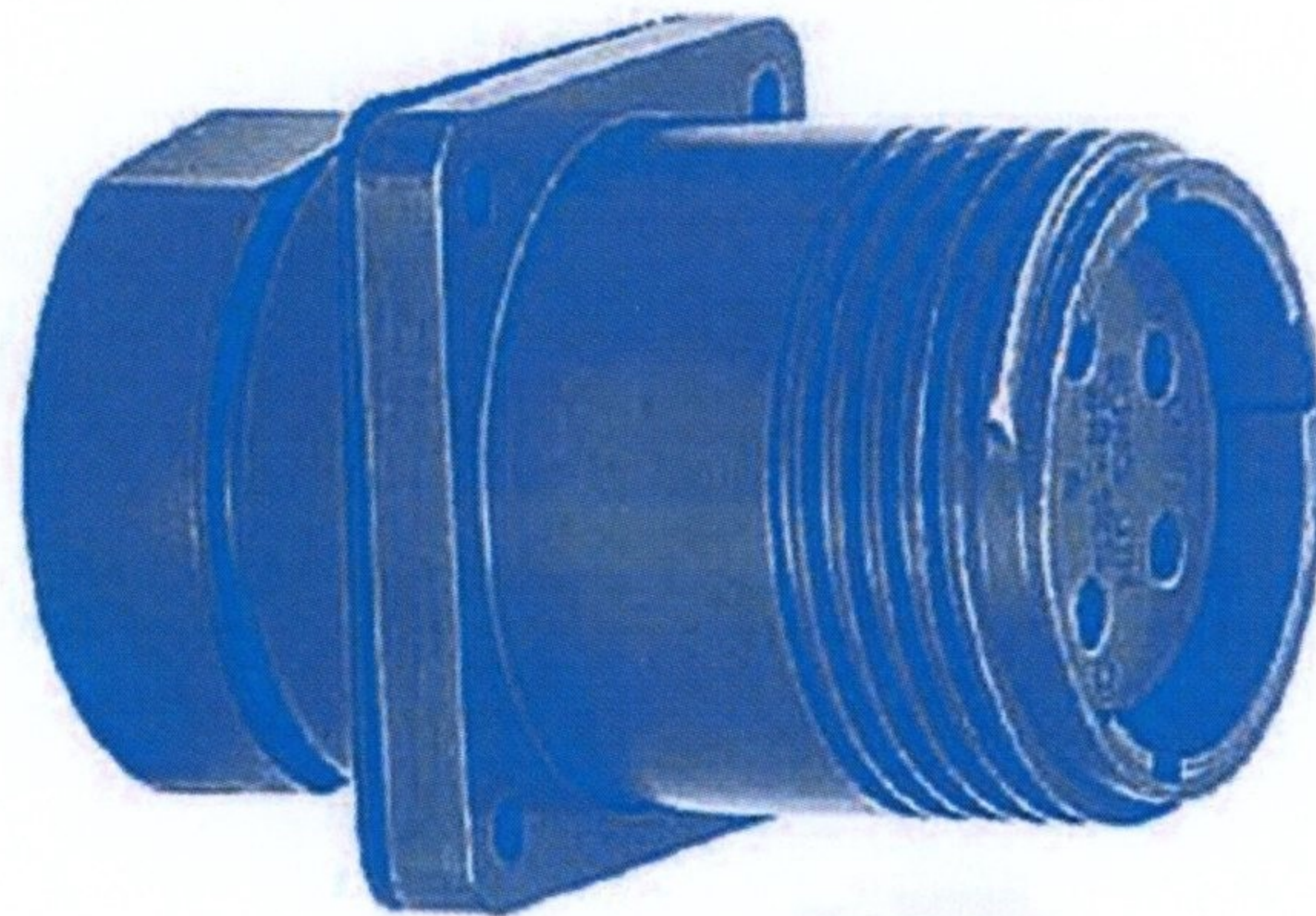
The socket insert would be rotated counterclockwise the same number of degrees in respect to the normal shell key.



Insert	Keying Position (degrees from normal position)			
	DC or 60 Hz Normal	400Hz		
		W	X	Y
28-02,-03	0° (normal)			
28-04,-05	0°	45°		180°
28-06,-07	0°		90°	
28-12,-13	0°		90°	180°
32-02,-03	0°			
32-04,-05	0°			
32-06,-07	0°			
32-12,-13	0°			
44-02,-03	0°			
44-04,-05	0°	45°		
44/6/1	0°	25°		
44-12,-13	0°	60°		
44-50,-51,-52,-56	0°			
52/2/1	0°			
52/6/1	0°	25°		
52-12,-13	0°	60°		

MIL-C-22992 Class L

• MS90555 Wall Mount Receptacle



Shell Size	A THREAD CLASS 2A	H +.001 -.010	J +.016 -.000	N Dia +.011 -.020	R (BSC)	S +.021 -.020	T ±.005
28	2.000-1428P-2857L	1.812	2.188	2.000	1.719	2.375	.177
32	2.250-1428P-2857L	2.062	2.188	2.250	1.906	2.625	.209
40	2.750-1428P-2857L	2.562	2.188	2.875	2.406	3.125	.281
44	3.000-1428P-2857L	2.812	2.188	3.125	2.656	3.375	.281
48	3.250-1428P-2857L	3.062	2.532	3.375	2.906	3.625	.281
52	3.500-1428P-2857L	3.312	2.532	3.625	3.156	3.875	.281

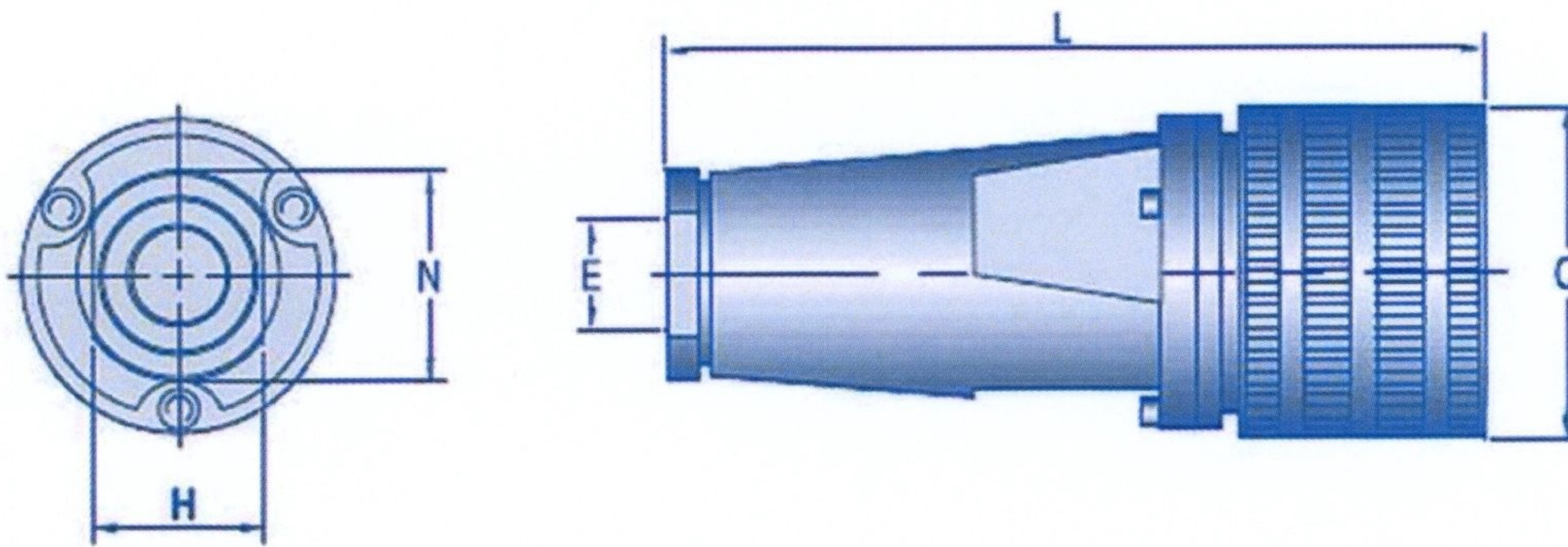
Inch

All dimensions for reference only.

Protective cover MS90564 is supplied as part of this connector assembly.

MIL-C-22992 Class L

• MS90556 Straight Plug



Shell Size	ARRANGEMENT NUMBER	E CABLE RANGE	H +0.001 -0.010	L Max. LENGTH	N Dia. +0.01 -0.020	Q Dia. Max.
28	-02	.969-.844	1.750	8.188	2.000	2.312
	-03	1.130-1.005				
	-04	1.130-1.005				
	-05	1.130-1.005				
32	-08, -12	1.130-1.005	1.750	8.188	2.000	2.562
	-09	1.260-1.135				
	-10	1.260-1.135				
	-11	1.260-1.135				
40	-13	1.609-1.484	2.438	8.625	2.750	3.281
	-15	1.900-1.775				
	-16	1.844-1.719				
44	-12	1.531-1.406	2.438	8.625	2.750	3.531
	-21	1.969-1.824				
48	-25	2.382-2.183	2.750	8.984	2.953	3.781
	-26	2.250-2.105				
52	-12	2.328-2.183	2.750	9.047	3.125	4.016

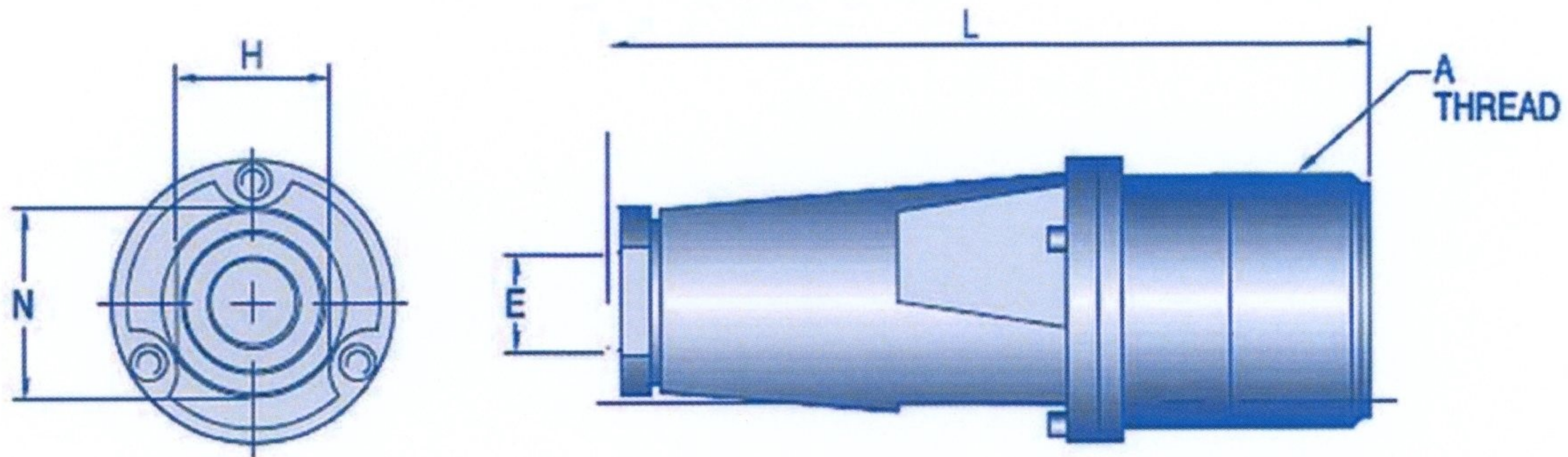
All dimensions for reference only.

Protective cover MS90564 is supplied as part of this connector assembly.

Contact brushings MS3348 are supplied as part of connector as required.

MIL-C-22992 Class L

• MS90557 Cable Connecting Receptacle Without Coupling Ring

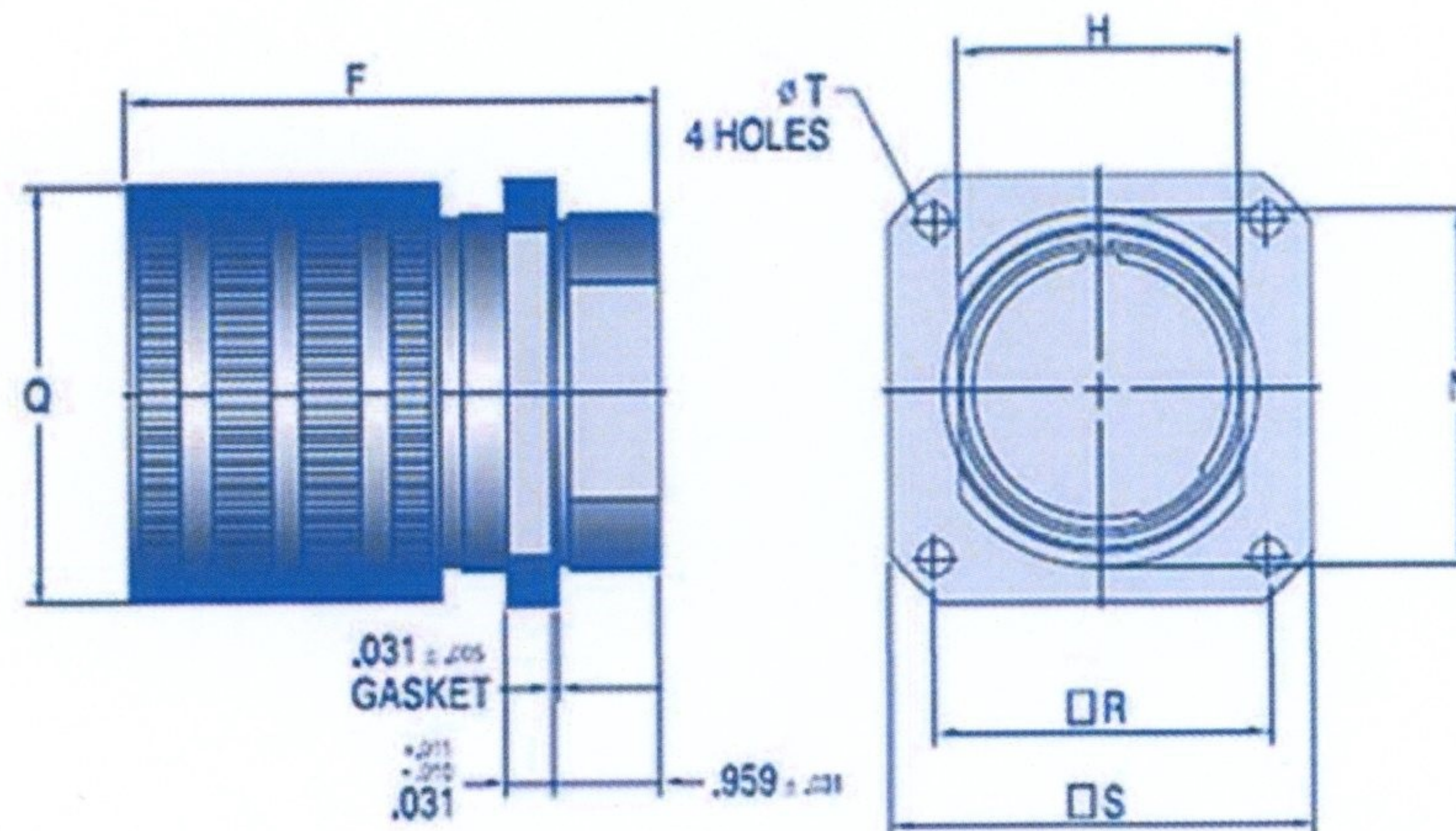
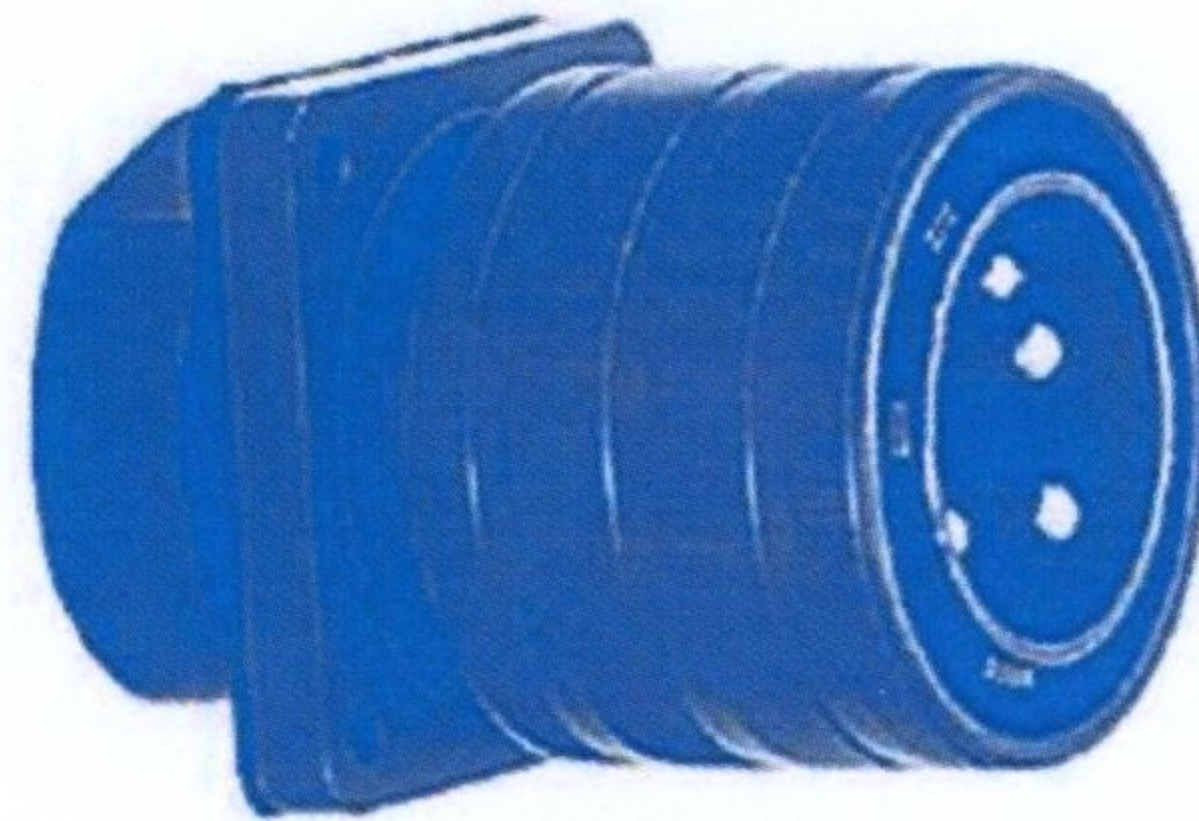


Shell Size	ARRANGEMENT NUMBER	A THREAD CLASS 2A	E CABLE RANGE	H +.001 -.010	L Max. LENGTH	N Dia. +.011 -.020
28	-02	2.000-.1428P-2857L	.969-.844	1.750	8.156	2.000
	-03		1.130-1.005			
	-04		1.130-1.005			
	-05		1.130-1.005			
32	-08, -12	2.250-.1428P-2857L	1.130-1.005	1.750	8.156	2.000
	-09		1.260-1.135			
	-10		1.260-1.135			
	-11		1.260-1.135			
40	-13	2.750-.1428P-2857L	1.609-1.484	2.438	8.594	2.750
	-15		1.900-1.775			
	-16		1.844-1.719			
44	-12	3.000-.1428P-2857L	1.531-1.406	2.438	8.594	2.750
	-21		1.969-1.824			
48	-25	3.250-.1428P-2857L	2.382-2.183	2.750	8.938	2.953
	-26		2.250-2.105			
52	-12	3.500-.1428P-2857L	2.328-2.183	2.750	9.000	3.125

All dimensions for reference only.
 Protective cover MS90563 is supplied as part of this connector assembly.
 Contact brushings MS3348 are supplied as part of connector as required.

MIL-C-22992 Class L

- MS90558 Wall Mount Plug With Coupling Ring(equipment end)



Shell Size	F +.016 -.000	H +.001 -.010	N Dia. +.011 -.020	Q Dia. Max.	R (BSC)	S +.021 -.020	T ±.005
28	2.639	1.812	2.000	2.312	1.719	2.375	.177
32	2.639	2.062	2.250	2.562	1.906	2.625	.209
40	2.639	2.562	2.875	3.281	2.406	3.125	.281
44	2.639	2.812	3.125	3.531	2.656	3.375	.281
48	2.938	3.062	3.375	3.781	2.906	3.625	.281
52	2.938	3.312	3.625	4.016	3.156	3.875	.281

All dimensions for reference only.

Protective cover MS90564 is supplied as part of this connector assembly.

MIL-C-22992 Class L

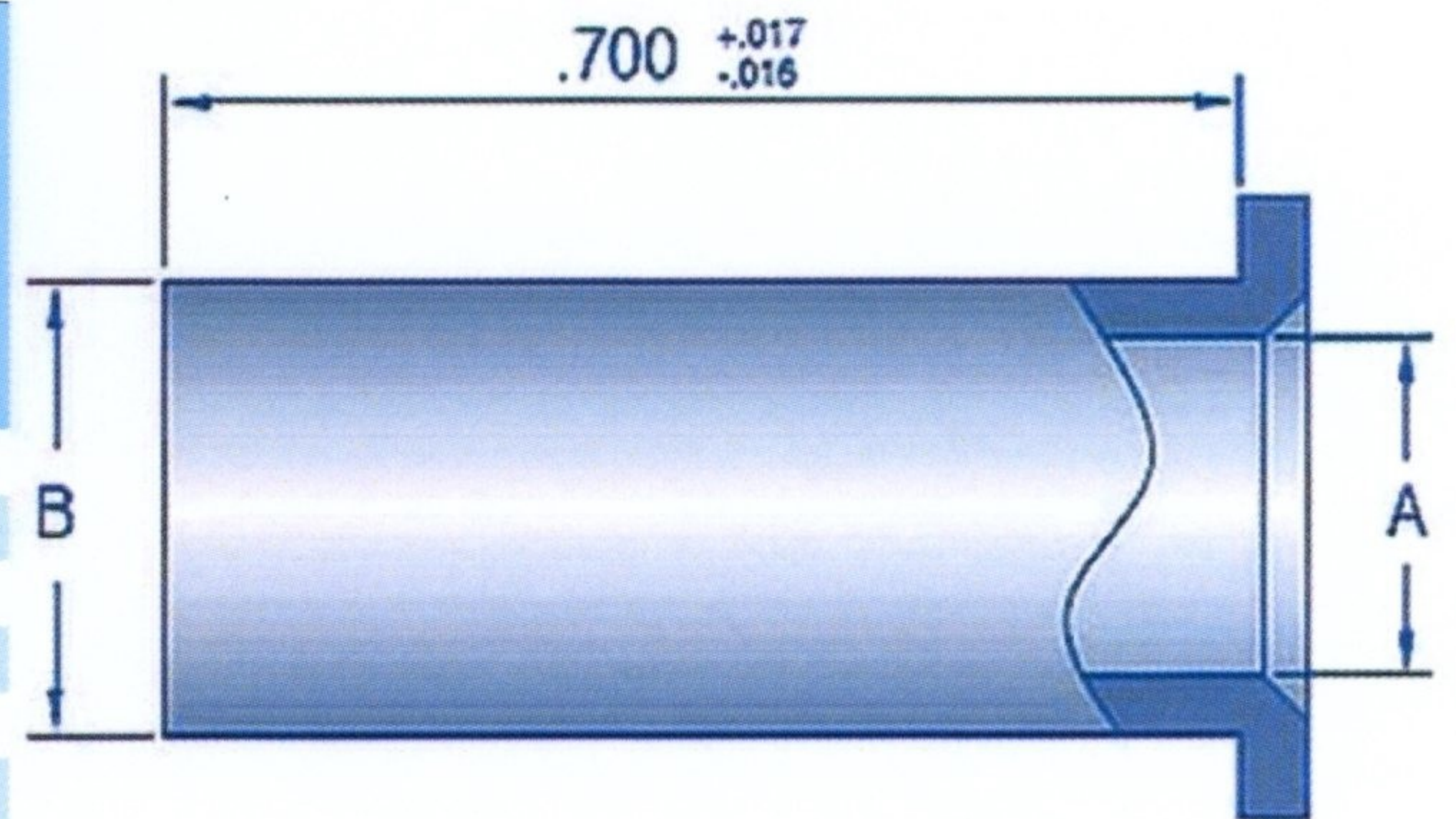
Accessories

Contacts

Socket MS Part Number	Pin MS Part Number	Contact Size	Wire Well Size
M39029/49-335	M39029/48-327	4/0	4/0
	M39029/48-328	4/0N	4/0
M39029/49-333	M39029/48-323	1/0	1
	M39029/48-324	1/0N	1
M39029/49-331	M39029/48-320	4	4
	M39029/48-321	4N	4
M39029/49-329	M39029/48-317	6	6
	M39029/48-318	6N	6
M39029/49-332	M39029/48-322	4G	4
M39029/49-330	M39029/48-319	6G	6

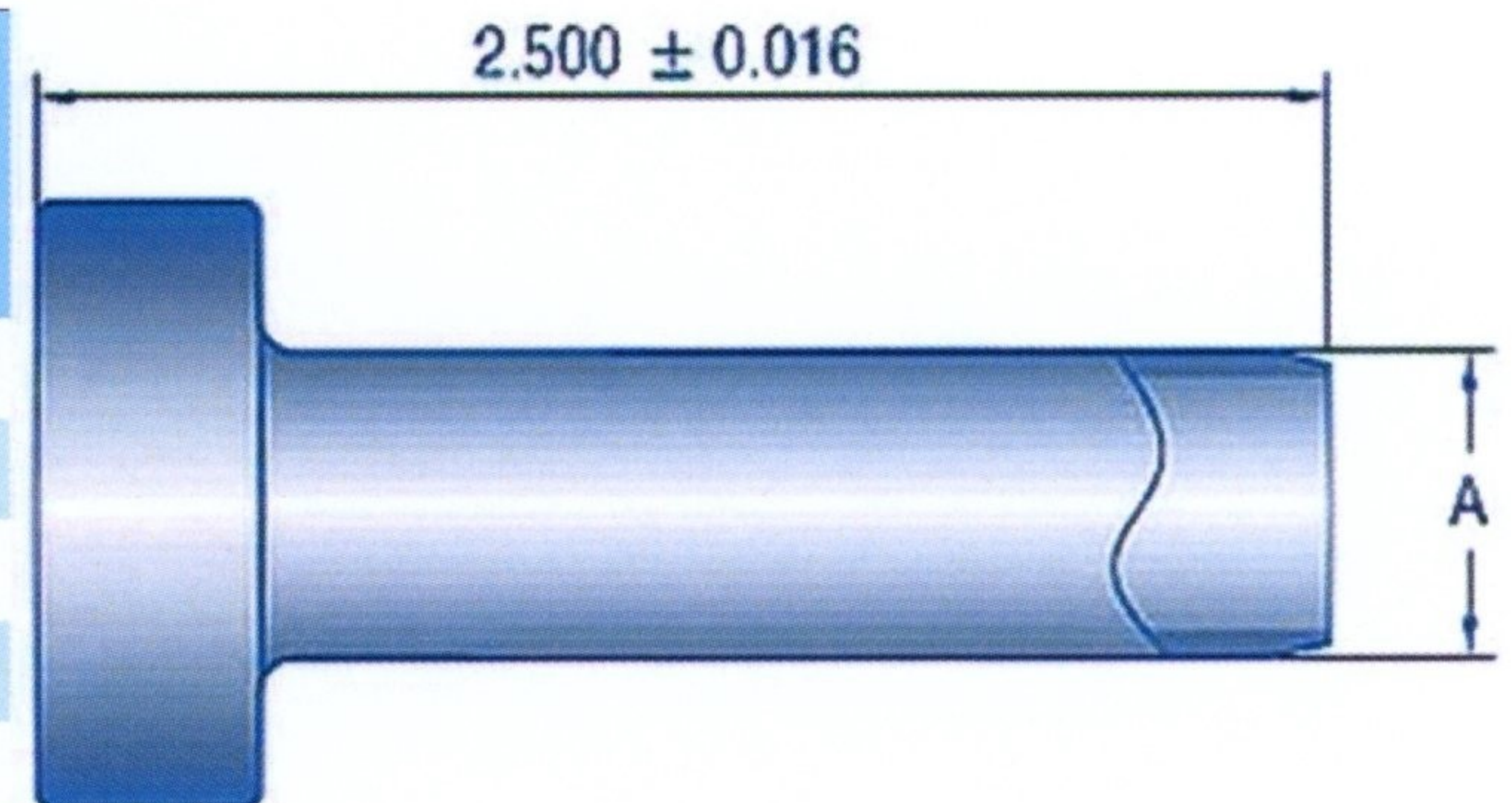
MS3348 Contact Bushing

MS Part Number	Contact Wire Barrel Size (Ref)	Wire Size (Ref)	A Dia +.010 -.003	B Dia +.002 -.003
MS3348-1 - 2L	1	2	.359	.396
MS3348-4 - 5L	4	5	.250	.272
MS3348-4 - 6L	4	6	.225	.272
MS3348-6 - 8L	6	8	.185	.225
MS3348-6 - 9L	6	9	.155	.225
MS3348-1 - 6L	1	6	.225	.396
MS3348-4 - 8L	4	8	.185	.272
MS3348-6 - 10L	6	10	.136	.225
MS3348-4/0-2/0L	4/0	2/0	.500	.629



MS90562 Contact Removal Tool

MS Part Number	Contact Size	A Dia +.000 -.002
MS90562-1	4/0	.790
MS90562-2	2/0	.696
MS90562-3	1/0	.558
MS90562-4	2	.462
MS90562-5	4	.376
MS90562-6	6	.354

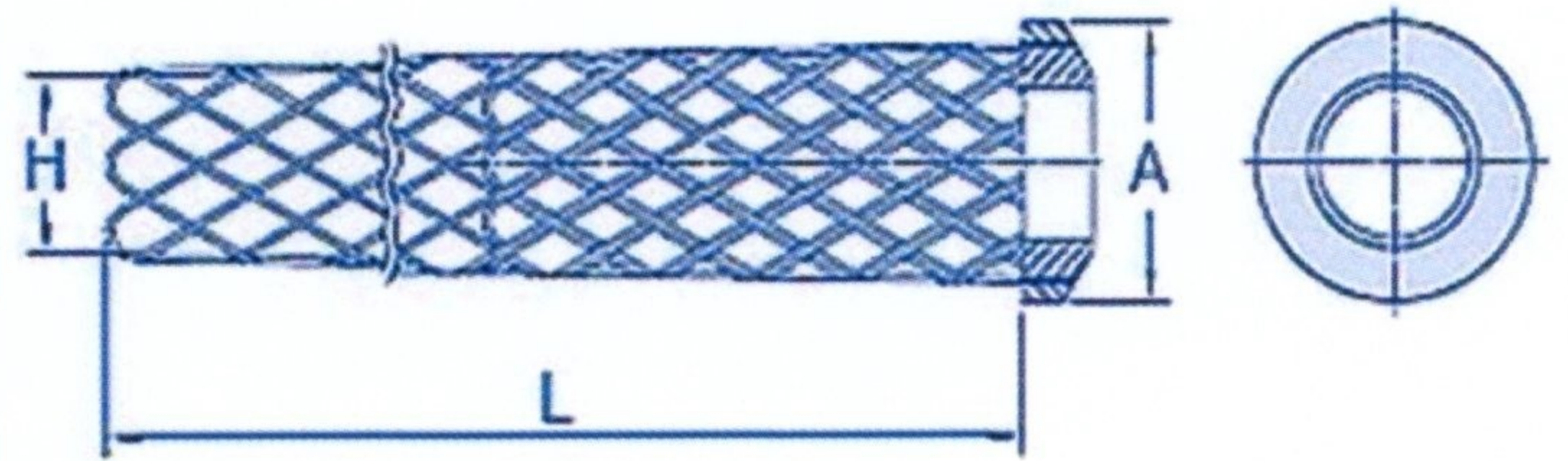


MIL-C-22992 Class L

• Accessories

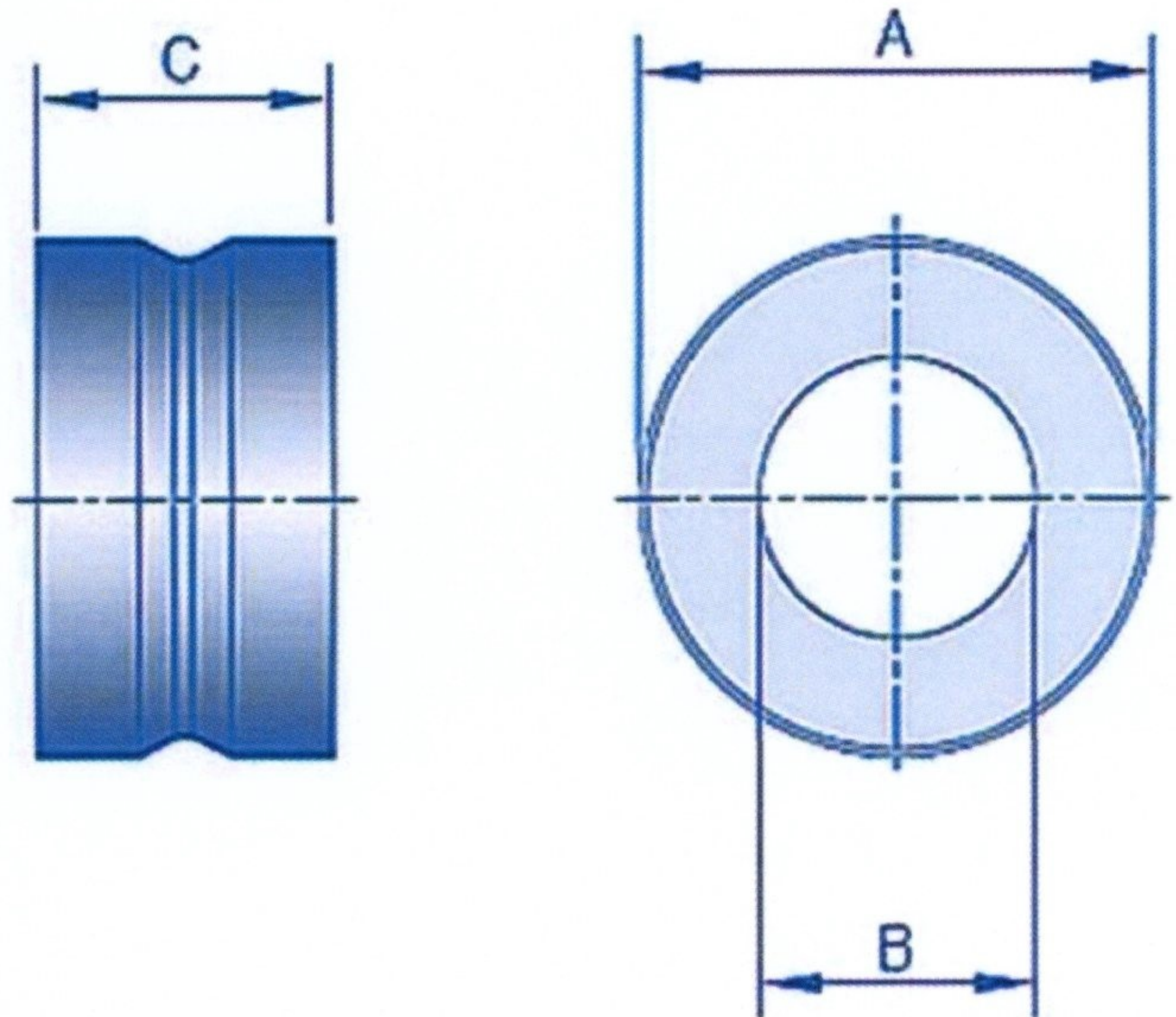
MS90561 Cable Strain Relief

MS Part Number	Arrangement Number	A Dia +.000 -.010	H Dia Cable Range		Dia +.002 -.003
			Max	Min	
MS90561-2	28-13, 32-12	1.797	1.145	1.003	1.003
MS90561-4	28-02, -04	1.797	.844	.688	7.500
MS90561-12	28-12	1.797	1.047	.891	8.000
MS90561-13	32-13	1.797	1.342	1.185	9.500
MS90561-15	44-12	2.235	1.516	1.360	11.500
MS90561-16	44-13	2.235	1.688	1.531	13.500
MS90561-17	52-12	2.922	2.328	2.039	18.000
MS90561-18	52-13	2.922	2.500	2.211	19.000
MS90561-19	44-51	2.235	1.750	1.550	12.500
MS90561-20	44-52	2.235	1.578	1.375	12.000
MS90561-21	44-56	2.235	1.160	1.010	8.000



MS23747 Cable Sealing Gland

MS Part Number	Arrangement Number	A Dia +.000 -.020	B Dia +.020 -.000	C ±.010	M Cable Dia Ref.
MS23747-2	28-13, 32-05, -12	1.805	1.130	1.034	1.005
MS23747-12	28-12	1.805	1.047	1.034	.922
MS23747-13	32-13	1.805	1.342	1.034	1.217
MS23747-14	44-03	2.242	1.438	1.160	1.313
MS23747-15	44-12	2.242	1.516	1.160	1.391
MS23747-16	44-13	2.242	1.672	1.160	1.547
MS23747-18	52-11	2.927	2.328	1.284	2.183
MS23747-19	52-13	2.927	2.453	1.284	2.308
MS23747-20	44-51	2.242	1.734	1.160	1.609
MS23747-21	44-52	2.242	1.562	1.160	1.437
MS23747-22	44-56	2.242	1.150	1.160	1.025



MIL-C-22992 Class L

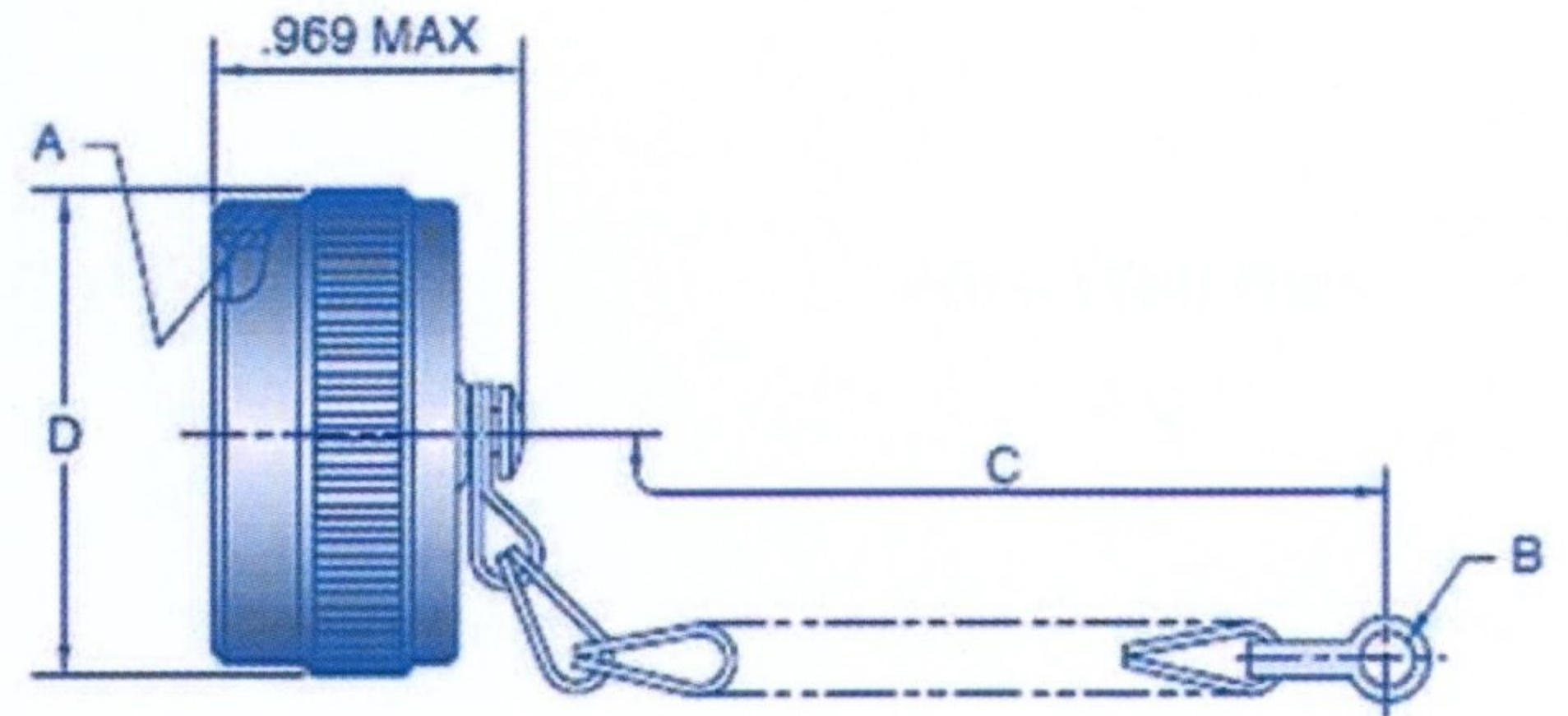
• Accessories

MS90563 Protective Covers

used with : MS90555 Wall Mount Receptacle

MS90557 Cable Connecting Receptacle

MS Part Number	Use with Shell size	A Thread Class 2B .1428P-.2857L Double Stub	H Dia		B Dia +.002 -.003
			For MS90555	For MS90557	
MS90564-1()	28	2.000	.177	.177	6.000
MS90564-3()	32	2.250	.209	-	4.500
MS90564-4()	32	2.250	-	.177	6.000
MS90564-7()	44	3.000	.281	.281	7.500
MS90564-11()	52	3.500	.281	.281	7.500



All dimensions for reference only.

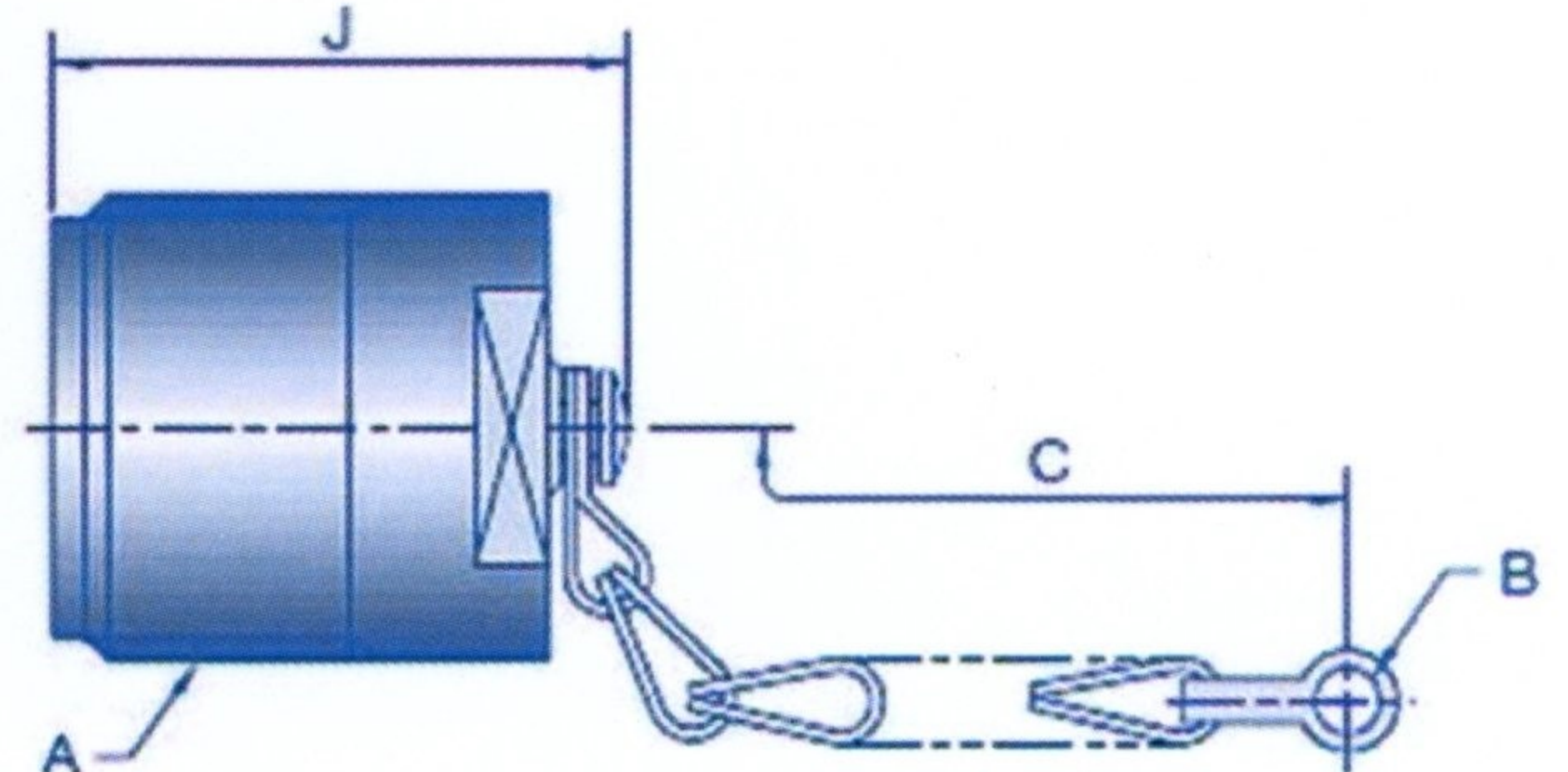
To complete MS part number, add letter C (Conductive) for AC or N (Non-conductive) for DC connector assemblies.

MS90564 protective covers

used with : MS90556 Strait Plug

MS90558 Wall Mount Plug

MS Part Number	Use with Shell size	A Thread Class 2A(Plated) .1428P-.2857L Double Stub	B Dia Ref		C Approx	J Max
			For 90556	For 90558		
MS90564-1()	28	2.000	.177	.177	7.500	2.266
MS90564-3()	32	2.250	-	.209	6.000	2.266
MS90564-4()	32	2.250	.177	-	7.500	2.266
MS90564-7()	44	3.000	.281	.281	8.500	2.484
MS90564-11()	52	3.500	.281	.281	8.500	2.484



All dimensions for reference only.

To complete MS part number, add letter C (Conductive) for AC or N (Non-conductive) for DC connector assemblies.

MIL-C-22992 CLASS C, J & R CONNECTORS



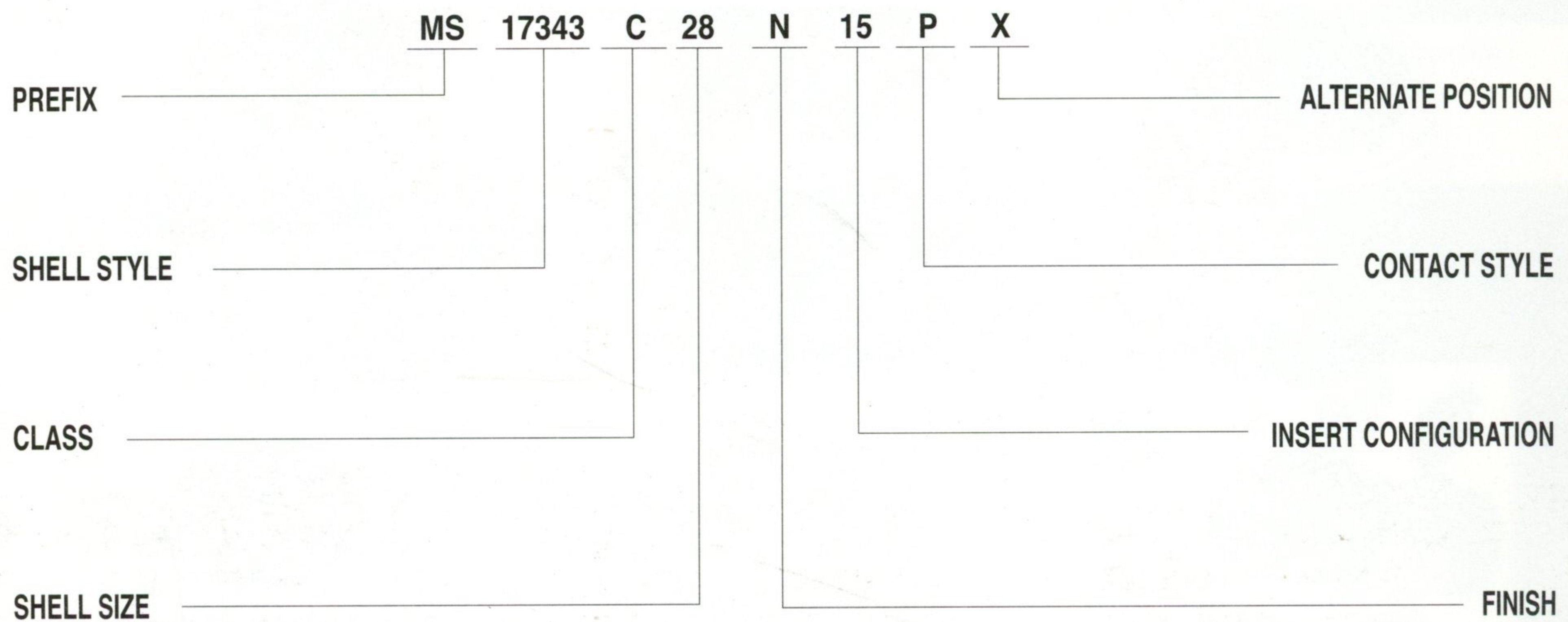
CONTENTS

Ordering Information	2
MS17343(Wall Mounting Receptacle)	3
MS17344(Plug)	4
MS17345(In-line Receptacle)	5
MS17346(Box Mount Receptacle)	6
MS17347(Jam Nut Receptacle, Wall Mount)	7
MS17348(Jam Nut Receptacle, Box Mount)	8
Insert Configurations by number of contacts	9
Protective covers	10

MIL-C-22992 CLASSES C, J & R

● Ordering Informations

MIL-C- 22992 Class C, J & R Standard MS Connectors



● SHELL STYLE

- MS17343 Wall Mount Receptacle.
- MS17344 Plug.
- MS17345 In
- MS17346 Box mount receptacle.
- MS17347 Jam Nut Receptacle. Wall mount
- MS17348 Jam Nut Receptacle. Box mount

● CLASS

- C. Pressurized.
- J. Pressurized with grommet.
- R. Environmental resistant.

● SHELL SIZE

- 12 Thru 40.

● FINISH

- C. Conductive olive drab cadmium plate over nickel.
- N. Non conductive hard black anodize.

● INSERT CONFIGURATION

- MIL-C-5015 insert configurations

● CONTACT STYLE

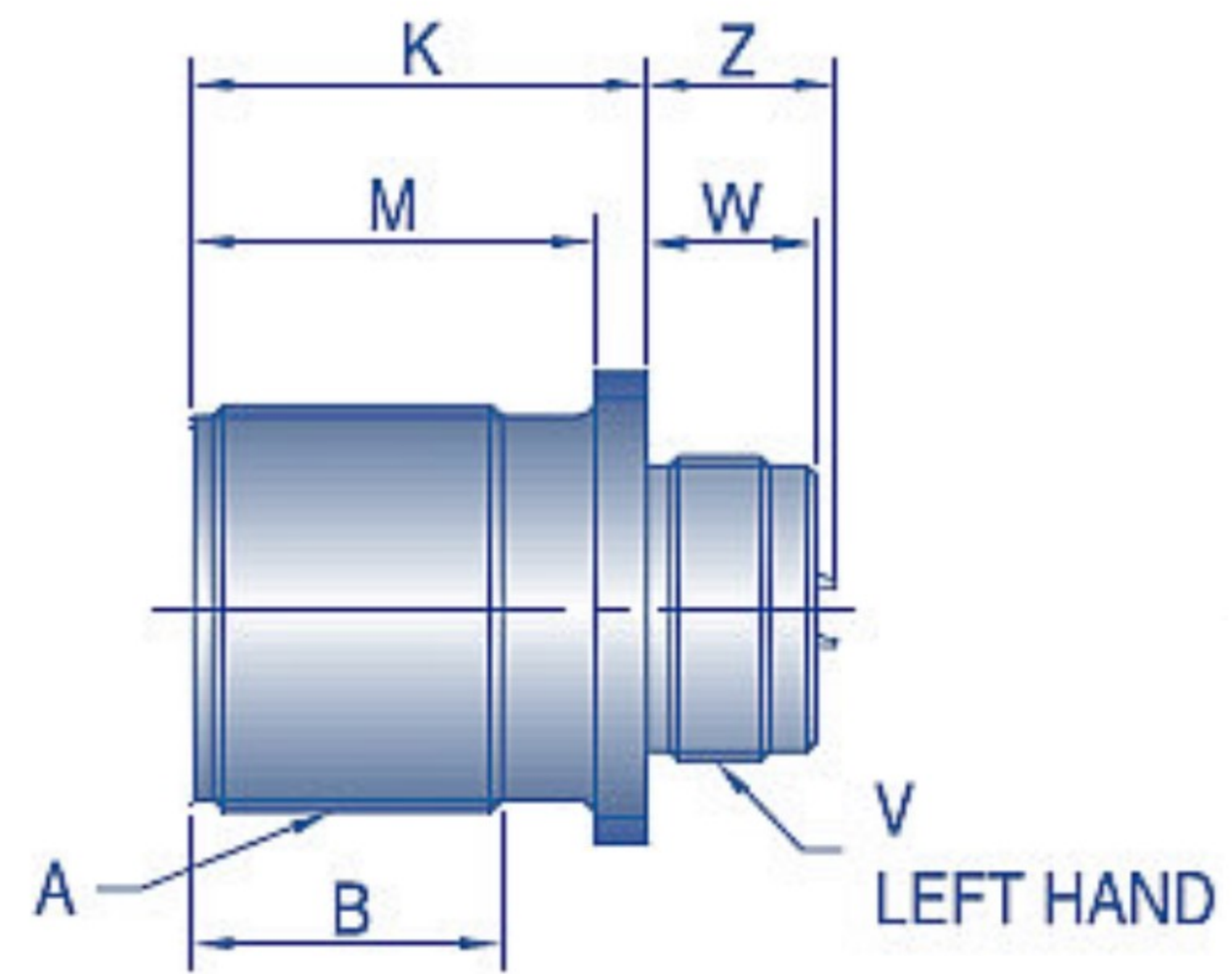
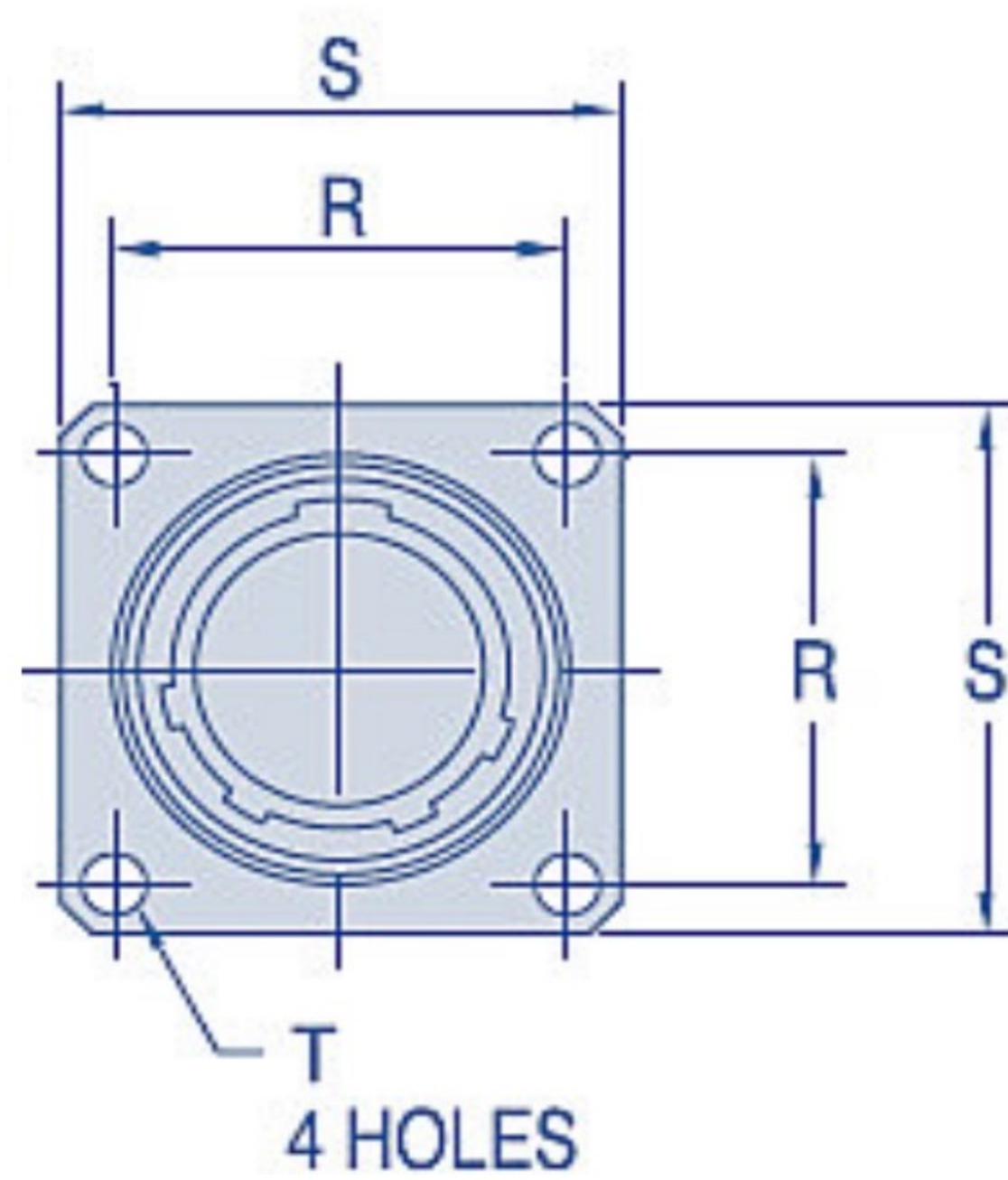
- P-Pin contacts.
- S-Socket contacts.

● ALTERNATE POSITION

- BLANK (normal) W, X, Y or Z.
- Same as MIL-C-5015.

MIL-C-22992 CLASSES C, J & R

● MS17343 wall mount receptacle

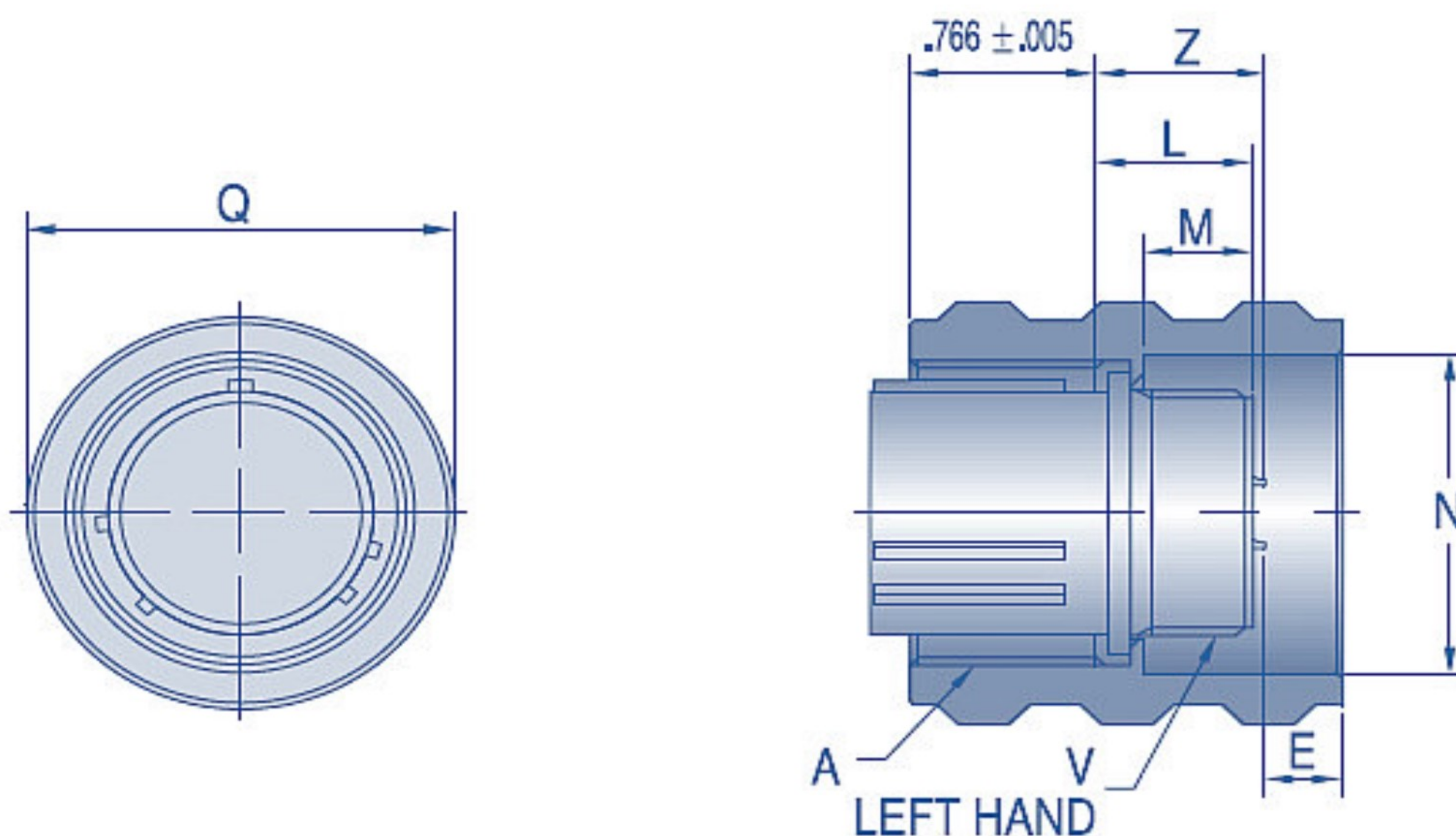


Shell Size	A thread Class 2A(Plated) 0.1P-0.2L Double stub	B Min Full Thd	K +.010 -.020	M +.010 -.000	R (TP)	S +.021 -.020	T Dia +.004 -.003	V thread Class 2A-LH (Plated)	W ±.010	Z Max
12	.8750	.672	.973	.797	.906	1.188	.150	.750-20UNEF	.640	.700
14	1.0000	.672	.973	.797	.969	1.281	.150	.875-20UNEF	.640	.700
16	1.1250	.672	.973	.797	1.062	1.375	.150	1.000-20UNEF	.640	.700
18	1.2500	.672	.953	.797	1.156	1.500	.177	1.125-18UNEF	.625	.686
20	1.3750	.672	.953	.797	1.250	1.625	.177	1.250-18UNEF	.625	.686
22	1.5000	.672	.953	.797	1.375	1.750	.177	1.375-18UNEF	.625	.686
24	1.7500	.672	1.047	.859	1.562	2.000	.177	1.625-18UNEF	.594	.585
28	2.0000	.672	1.047	.859	1.750	2.250	.177	1.875-16UN	.594	.591
32	2.2500	.672	1.109	.922	1.938	2.500	.209	2.0625-16UNS	.530	.528
36	2.5000	.672	1.109	.922	2.188	2.750	.209	2.3125-16UNS	.530	.528
40	2.7500	.672	1.109	.922	2.375	3.000	.209	2.625-16UN	.703	.528
44	3.0000	.672	1.109	.922	2.625	3.250	.209	2.875-16UN	.703	.770
48	3.2500	.672	1.109	.922	2.875	3.500	.209	3.125-16UN	.703	.770

All dimensions for reference only.

MIL-C-22992 CLASSES C, J & R

● MS17344 straight plug

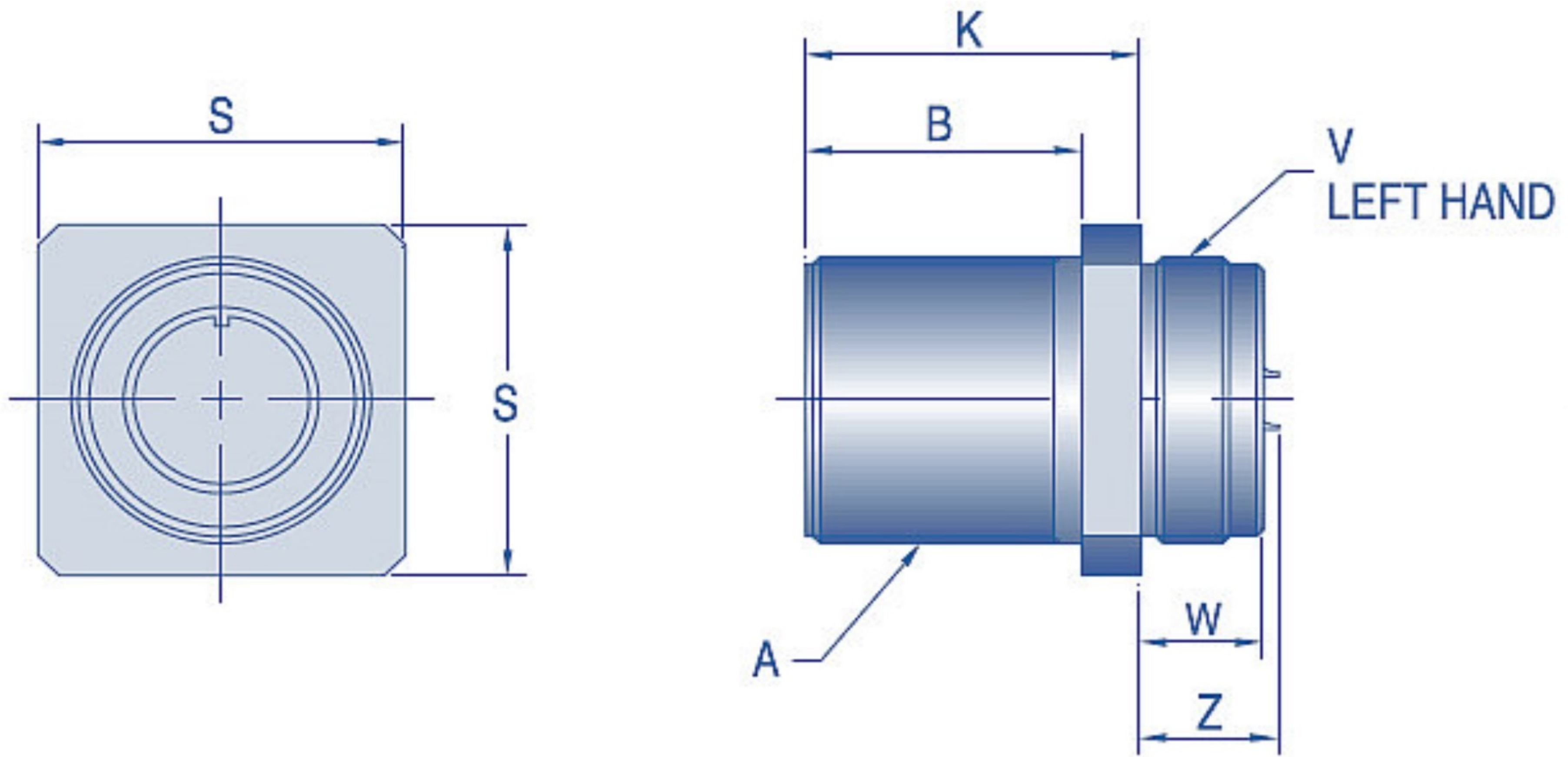


Shell Size	A thread Class 2B 0.1P-0.2L Double stub	M	N $+.010$ $-.001$	E	L $+.011$ $-.010$	Q Dia Max	V thread Class 2A-LH (Plated)	Z Max
12	.8750	$.519 \pm .020$.985	$.030 \pm .030$.738	1.156	.750-20UNEF	.870
14	1.0000	$.519 \pm .020$	1.109	$.013 \pm .030$.738	1.281	.875-20UNEF	.870
16	1.1250	$.519 \pm .020$	1.235	$.091 \pm .030$.738	1.469	1.000-20UNEF	.870
18	1.2500	$.519 \pm .020$	1.359	$.216 \pm .030$.738	1.563	1.125-18UNEF	.870
20	1.3750	$.519 \pm .020$	1.485	$.216 \pm .030$.738	1.688	1.250-18UNEF	.870
22	1.5000	$.519 \pm .020$	1.609	$.216 \pm .030$.738	1.844	1.375-18UNEF	.870
24	1.7500	$.519 \pm .020$	1.859	$.184 \pm .030$.800	2.094	1.625-18UNEF	.870
28	2.0000	$.519 \pm .020$	2.109	$.184 \pm .030$.800	2.344	1.875-16UN	.870
32	2.2500	$.529 \pm .026$	2.359	$.190 \pm .033$.875	2.594	2.0625-16UNS	.870
36	2.5000	$.525 \pm .026$	2.609	$.234 \pm .033$.875	2.844	2.3125-16UNS	.870
40	2.7500	$.710 \pm .023$	2.922	$.049 \pm .030$	1.041	3.516	2.625-16UN	.870
44	3.0000	$.710 \pm .023$	3.172	$.049 \pm .030$	1.041	3.406	2.875-16UN	.957

All dimensions for reference only.

MIL-C-22992 CLASSES C, J & R

● MS17345 cable connecting plug

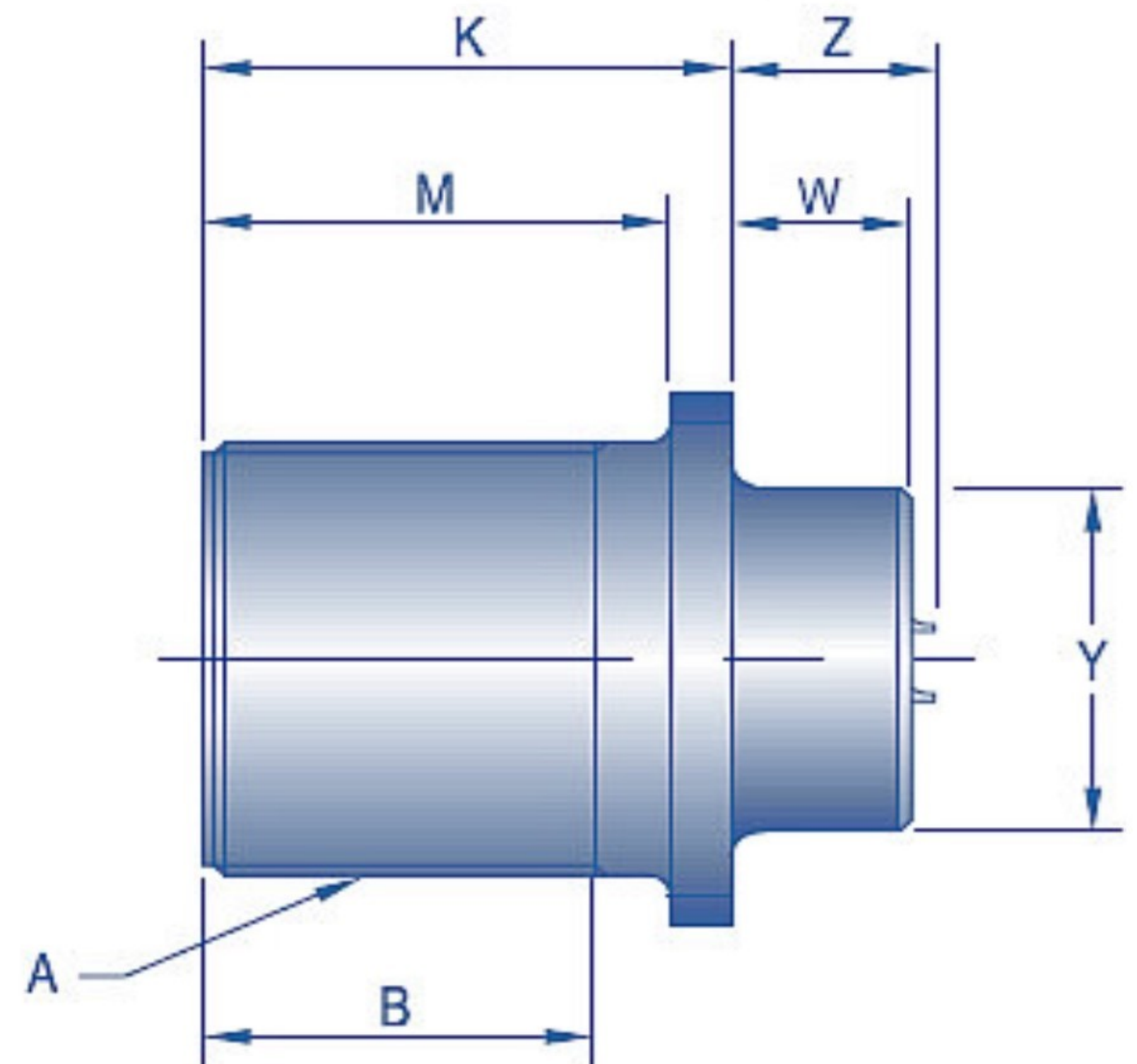
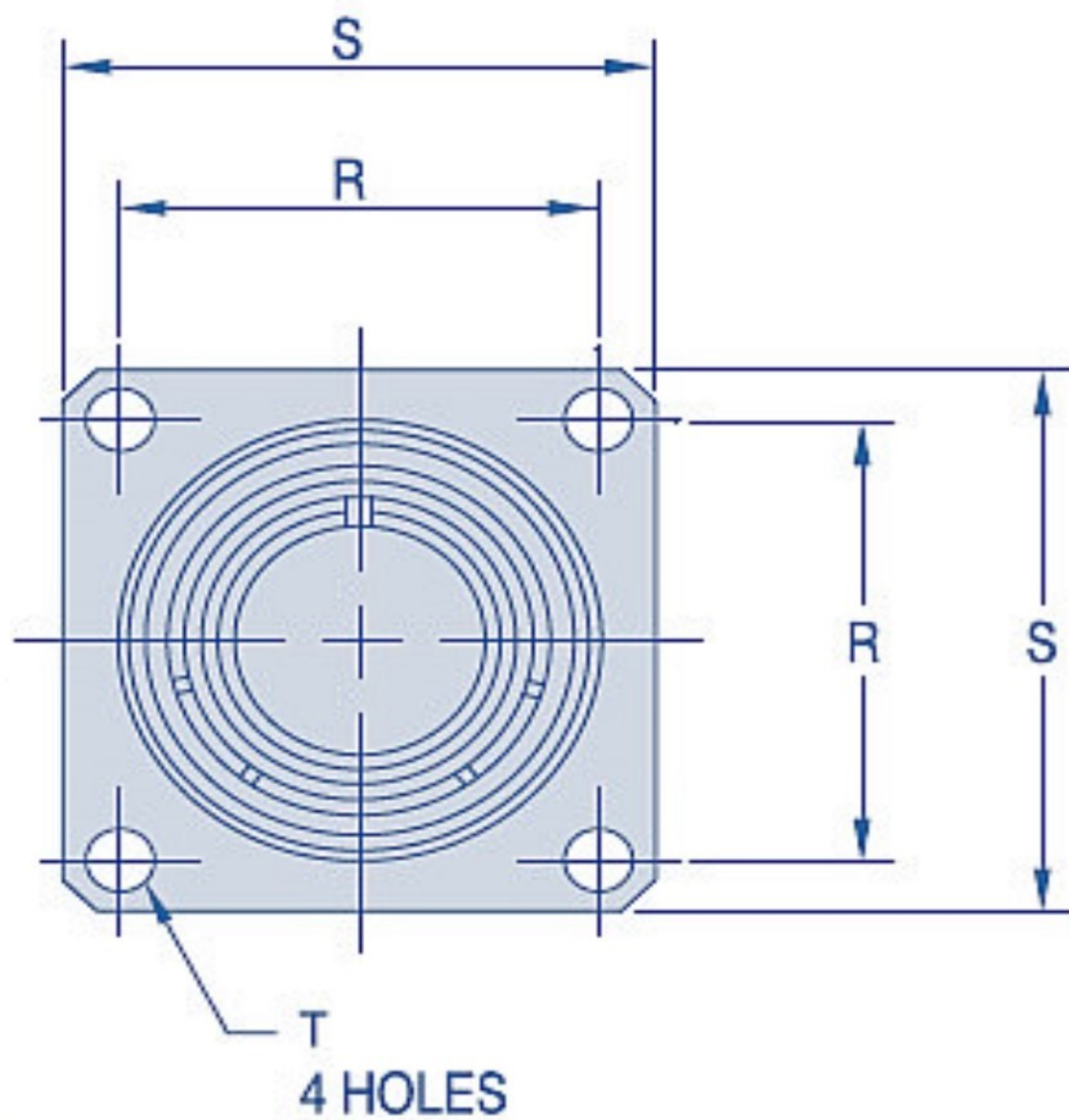


Shell Size	A thread Class 2B 0.1P-0.2L Double stub	B +.016 -.000	K +.021 -.020	S +.021 -.020	V thread Class 2A-LH (Plated)	W +.010	Z Max
12	.8750	.688	.938	1.000	.750-20UNEF	.641	.696
14	1.0000	.688	.938	1.094	.875-20UNEF	.641	.696
16	1.1250	.688	.938	1.281	1.000-20UNEF	.641	.696
18	1.2500	.703	.957	1.375	1.125-18UNEF	.625	.680
20	1.3750	.703	.957	1.500	1.250-18UNEF	.625	.680
22	1.5000	.703	.957	1.625	1.375-18UNEF	.625	.680
24	1.7500	.766	1.016	1.875	1.625-18UNEF	.625	.617
28	2.0000	.766	1.016	2.125	1.875-16UN	.625	.617
32	2.2500	.703	1.078	2.375	2.0625-16UN	.563	.555
36	2.5000	.703	1.078	2.625	2.3125-16UN	.563	.555
40	2.7500	.703	1.078	3.000	2.625-16UN	.703	.555
44	3.0000	.703	1.078	3.250	2.875-16UN	.703	.805

All dimensions for reference only.

MIL-C-22992 CLASSES C, J & R

● MS17346 cable connecting receptacle



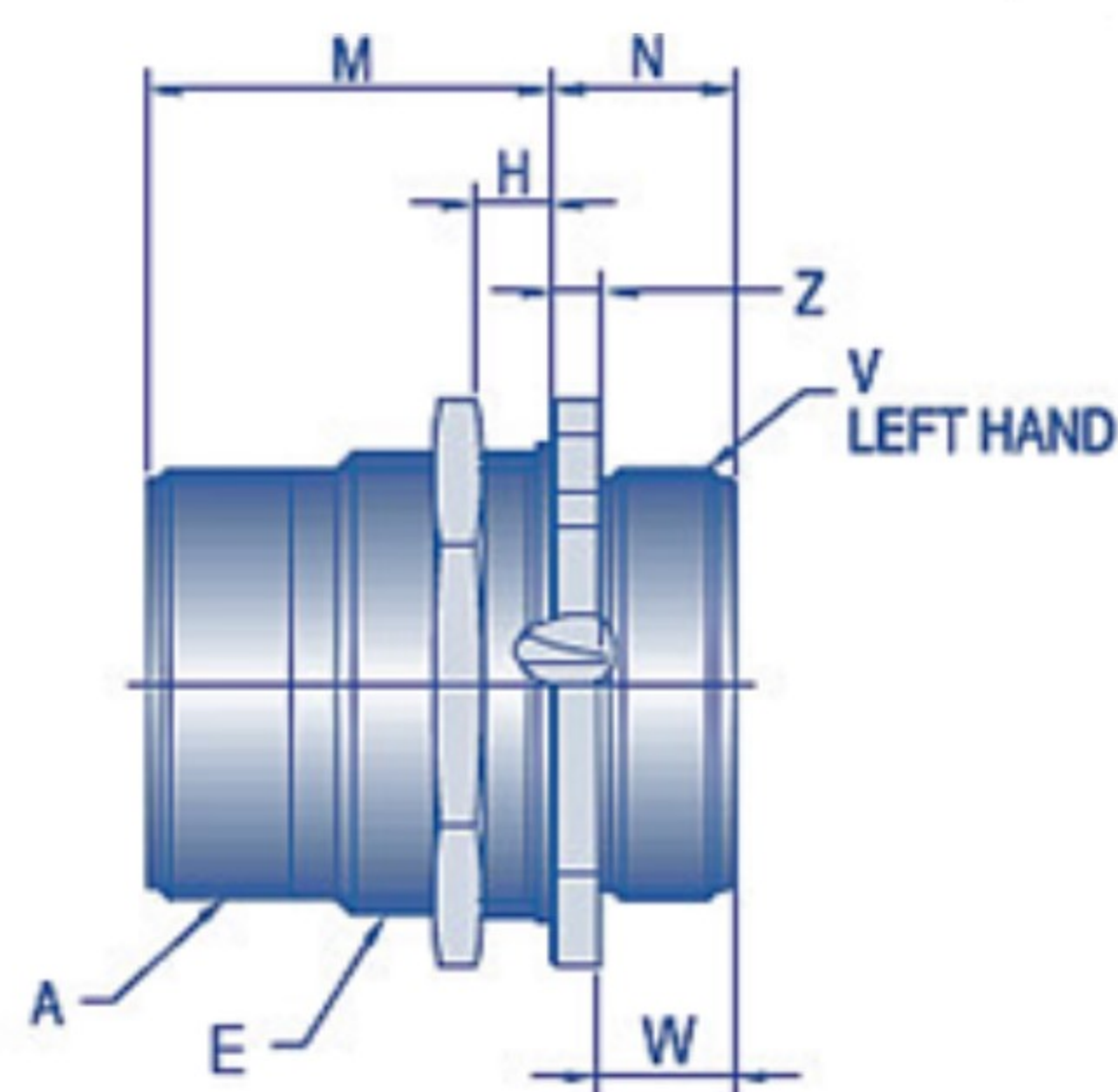
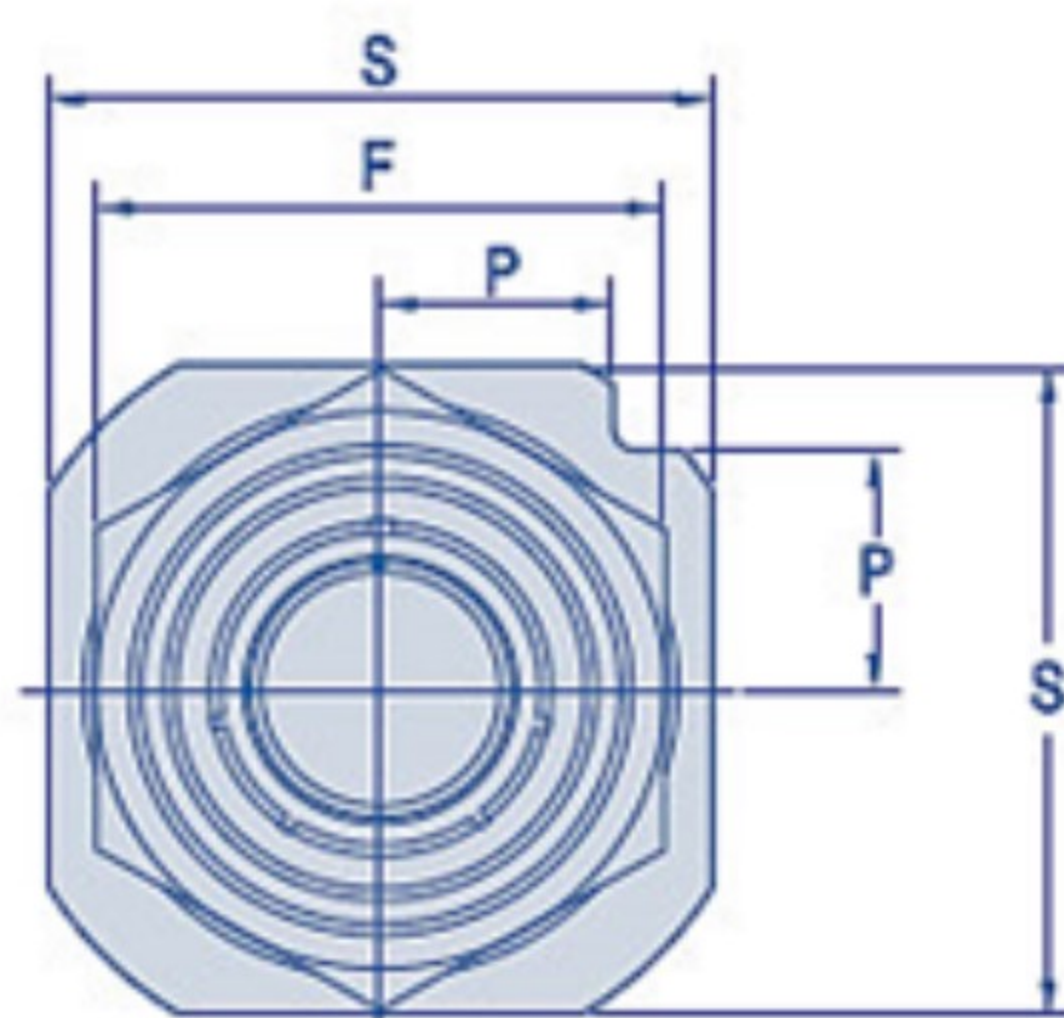
Shell Size	A thread Class 2B 0.1P-0.2L Double stub	B Min Full Thd	K +.010 -.000	M +.021 -.010	R (TP)	S +.021 -.020	T Dia +.004 -.003	W +.020 -.030	Y +.011 -.010	Z Max
12	.8750	.672	.938	.797	.906	1.188	.150	.640	.640	.700
14	1.0000	.672	.938	.797	.969	1.281	.150	.640	.765	.700
16	1.1250	.672	.938	.797	1.062	1.375	.150	.640	.890	.700
18	1.2500	.672	.953	.797	1.156	1.500	.177	.625	1.015	.686
20	1.3750	.672	.953	.797	1.250	1.625	.177	.625	1.171	.686
22	1.5000	.672	.953	.797	1.375	1.750	.177	.625	1.296	.686
24	1.7500	.672	1.047	.859	1.562	2.000	.177	.594	1.421	.585
28	2.0000	.672	1.047	.859	1.750	2.250	.177	.594	1.625	.591
32	2.2500	.672	1.110	.922	1.938	2.500	.209	.531	1.891	.528
36	2.5000	.672	1.110	.922	2.188	2.750	.209	.531	2.078	.528
40	2.7500	.672	1.110	.922	2.375	3.000	.209	.531	2.312	.528
44	3.0000	.672	1.110	.922	2.625	3.250	.209	.531	2.562	.778

All dimensions for reference only.

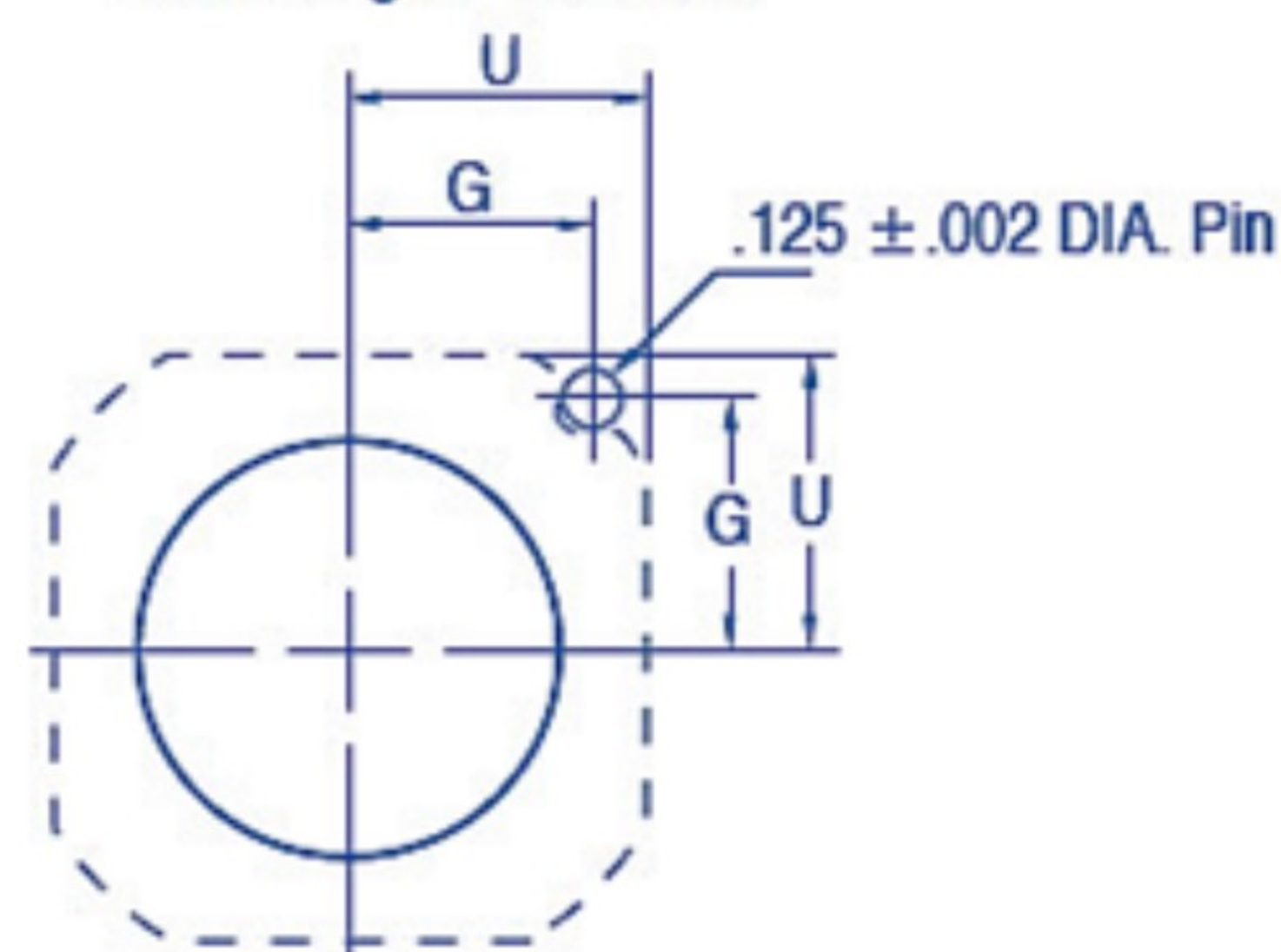
MIL-C-22992 CLASSES C, J & R

● MS17347

jam nut receptacle (wall mount)



Mounting dimensions



Shell Size	K Dia. +.005 -.000	G ±.003	U ±.005
12,13	1.005	.562	.688
14,15	1.130	.606	.750
16,17	1.255	.699	.875
18	1.380	.739	.938
20	1.505	.783	1.000
22	1.630	.830	1.062
24	1.880	.919	1.188
28	2.130	1.007	1.312
32	2.380	1.096	1.438
36	2.630	1.183	1.562
40	2.880	1.292	1.703

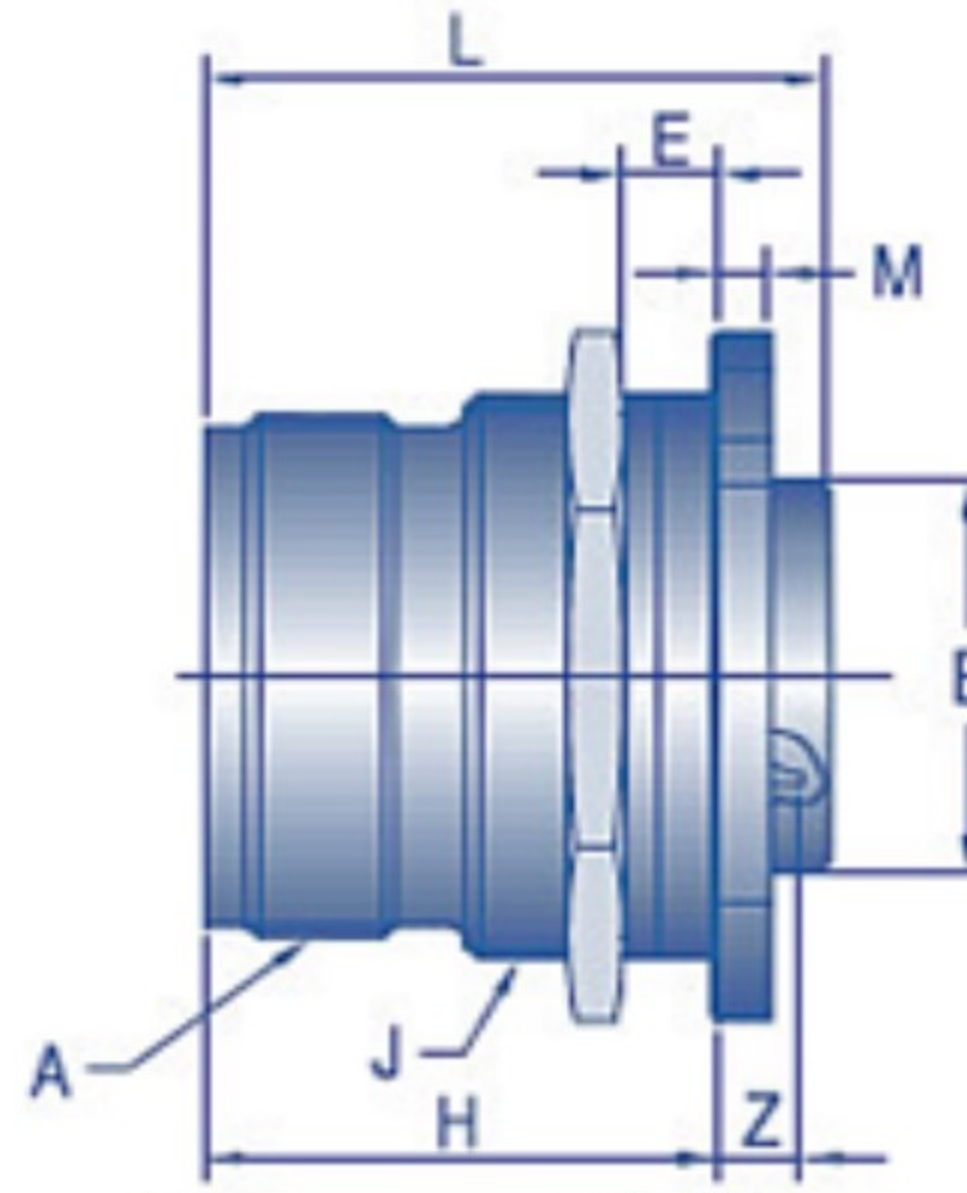
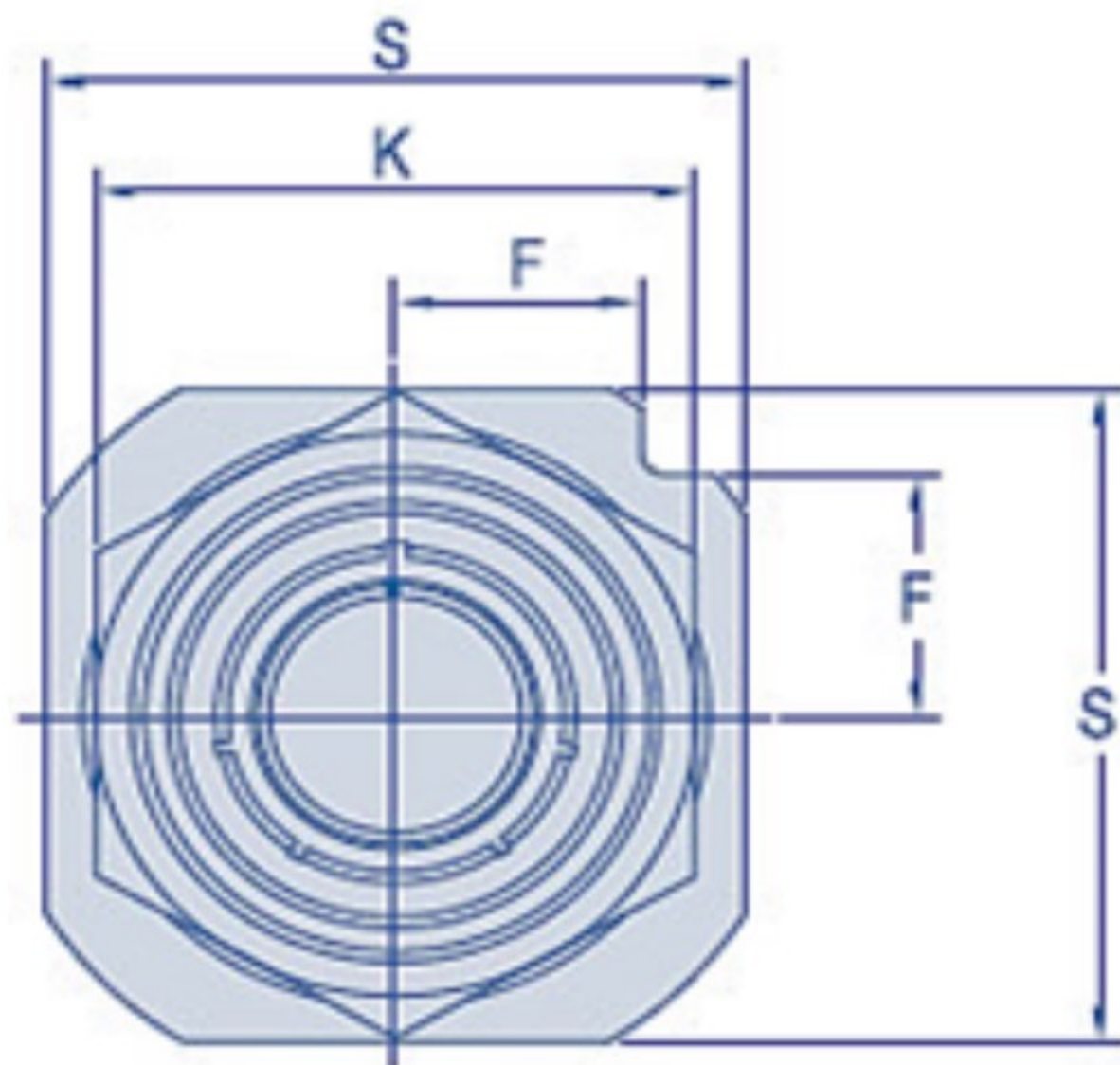
Shell Size	A thread Class 2B 0.1P-0.2L Double stub	E thread Class 2A (Plated)	F Hex +.017 -.016	H Panel Thickness		M ±.010	N +.021 -.020	P ±.010	S +.011 -.010	V thread Class 2A-LH (Plated)	W +.010	Z Max
				Min	Max							
12	.8750	1.000-20UNEF	1.250	.094	.188	.150	.641	.486	1.375	.750-20UNEF	.516	.483
14	1.0000	1.125-18UNEF	1.312	.094	.188	.150	.641	.530	1.500	.875-20UNEF	.516	.483
16	1.1250	1.250-18UNEF	1.500	.094	.188	.150	.703	.623	1.750	1.000-20UNEF	.516	.483
18	1.2500	1.375-18UNEF	1.562	.094	.203	.177	.703	.663	1.875	1.125-18UNEF	.516	.467
20	1.3750	1.500-18UNEF	1.750	.094	.203	.177	.703	.707	2.000	1.250-18UNEF	.516	.467
22	1.5000	1.625-18UNEF	1.875	.094	.203	.177	.703	.751	2.125	1.375-18UNEF	.516	.467
24	1.7500	1.875-16UN	2.125	.094	.265	.177	.703	.840	2.375	1.625-18UNEF	.516	.404
28	2.0000	2.125-16UN	2.375	.094	.277	.177	.785	.928	2.625	1.875-16UN	.516	.392
32	2.2500	2.375-16UN	2.625	.094	.215	.209	.785	1.017	2.875	2.0625-16UN	.516	.392
36	2.5000	2.625-16UN	2.875	.094	.215	.209	.785	1.104	3.125	2.3125-16UN	.516	.392
40	2.7500	2.875-16UN	3.125	.094	.215	.209	.972	1.213	3.406	2.625-16UN	.703	.392
44	3.0000	3.125-16UN	3.375	.094	.215	.209	.972	1.299	3.656	2.875-16UN	.703	.642

All dimensions for reference only.

MIL-C-22992 CLASSES C, J & R

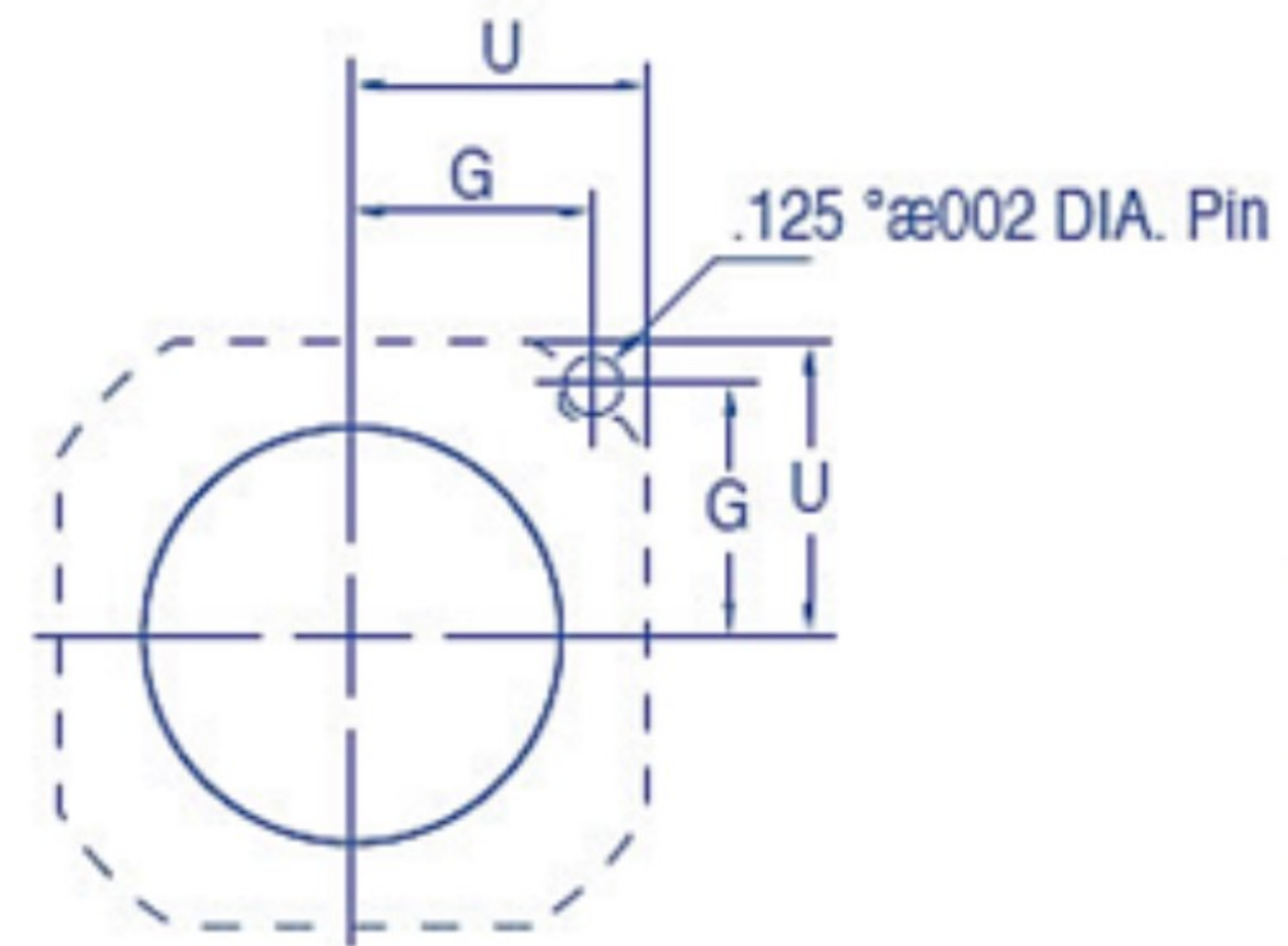
● MS17348

jam nut receptacle (Box mount)



Shell Size	K Dia. +.005 -.000	G ±.003	U ±.005
12,13	1.005	.562	.688
14,15	1.130	.606	.750
16,17	1.255	.699	.875
18	1.380	.739	.938
20	1.505	.783	1.000
22	1.630	.830	1.062
24	1.880	.919	1.188
28	2.130	1.007	1.312
32	2.380	1.096	1.438
36	2.630	1.183	1.562
40	2.880	1.292	1.703

Mounting dimensions



Shell Size	A thread Class 2B 0.1P-0.2L Double stub	M +.006 -.005	J thread Class 2A (Plated)	K Hex +.017 -.016	E Panel Thickness		L +.011 -.010	H ±.010	F ±.010	S +.011 -.010	B +.011 -.010	Z Max
					Min	Max						
12	.8750	.125	1.000-20UNEF	1.250	.094	.297	1.578	1.235	.486	1.375	.640	.389
14	1.0000	.125	1.125-18UNEF	1.312	.094	.297	1.578	1.235	.530	1.500	.765	.389
16	1.1250	.188	1.250-18UNEF	1.500	.094	.297	1.578	1.235	.623	1.750	.890	.389
18	1.2500	.188	1.375-18UNEF	1.562	.094	.266	1.578	1.203	.663	1.875	1.015	.421
20	1.3750	.188	1.500-18UNEF	1.750	.094	.266	1.578	1.203	.707	2.000	1.171	.421
22	1.5000	.188	1.625-18UNEF	1.875	.094	.266	1.578	1.203	.751	2.125	1.296	.421
24	1.7500	.188	1.875-16UN	2.125	.094	.328	1.641	1.266	.840	2.375	1.421	.358
28	2.0000	.219	2.125-16UN	2.375	.094	.328	1.641	1.329	.928	2.625	1.625	.295
32	2.2500	.219	2.375-16UN	2.625	.094	.328	1.641	1.329	1.017	2.875	1.891	.295
36	2.5000	.219	2.625-16UN	2.875	.094	.328	1.641	1.329	1.104	3.125	2.078	.295
40	2.7500	.219	2.875-16UN	3.125	.094	.328	1.641	1.329	1.213	3.406	2.312	.295
44	3.0000	.219	3.125-16UN	3.375	.094	.328	1.641	1.329	1.299	3.656	2.562	.545

All dimensions for reference only.

MIL-C-22992 CLASSES C, J & R

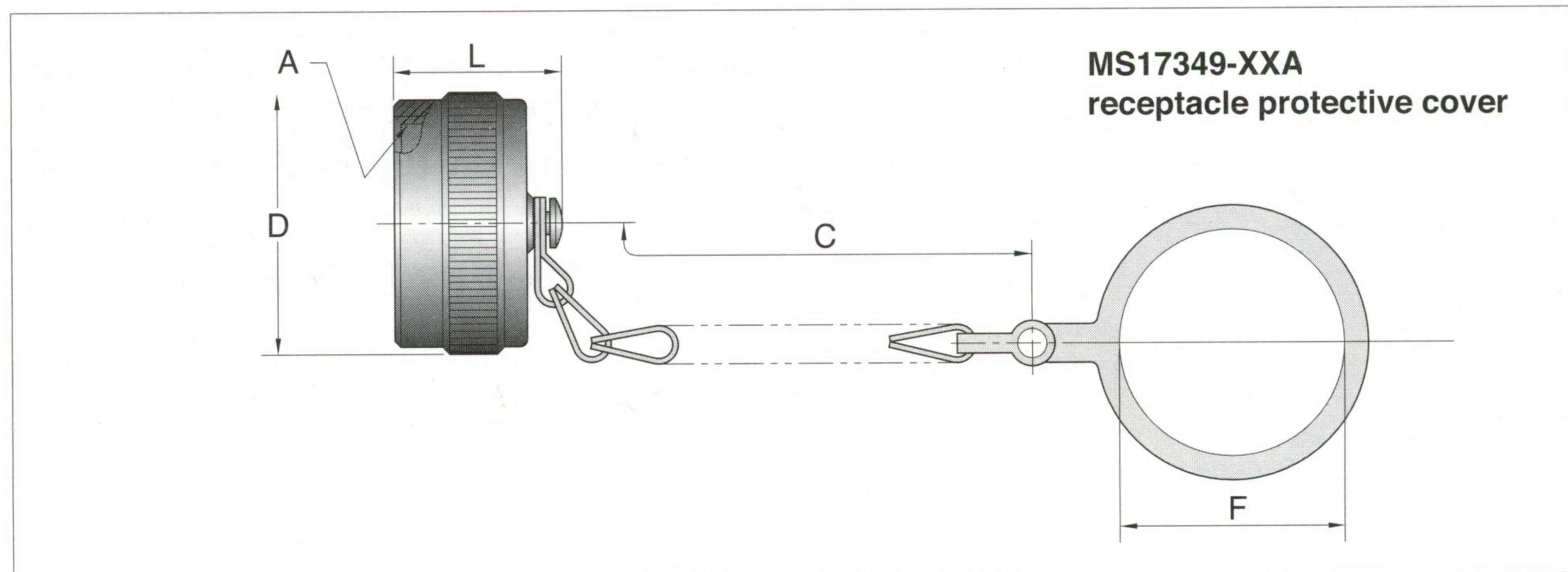
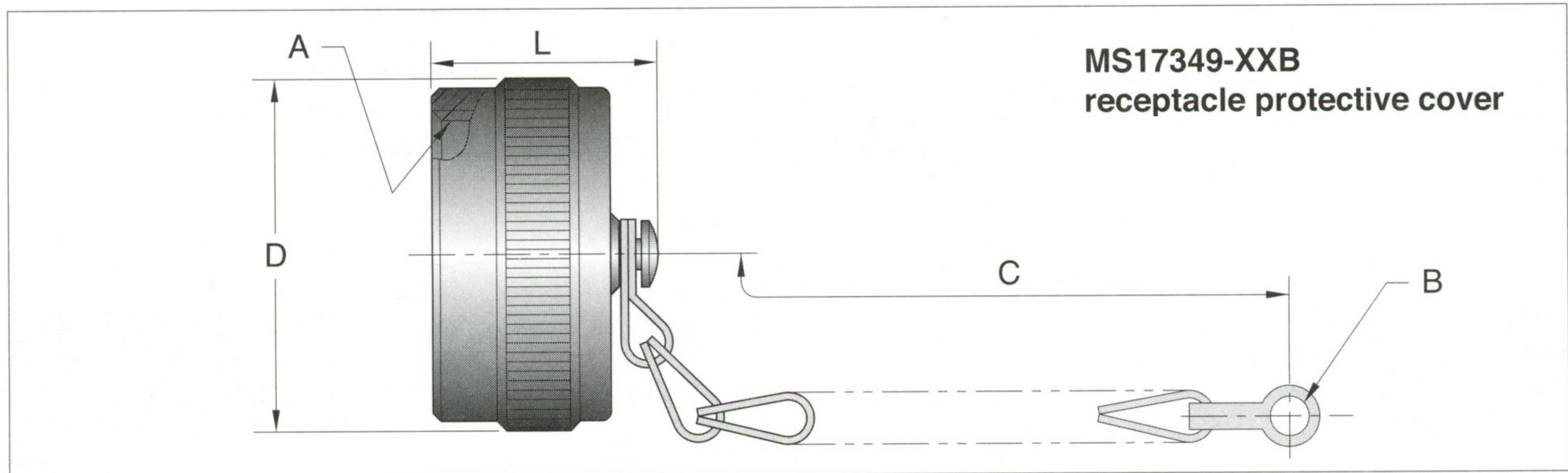
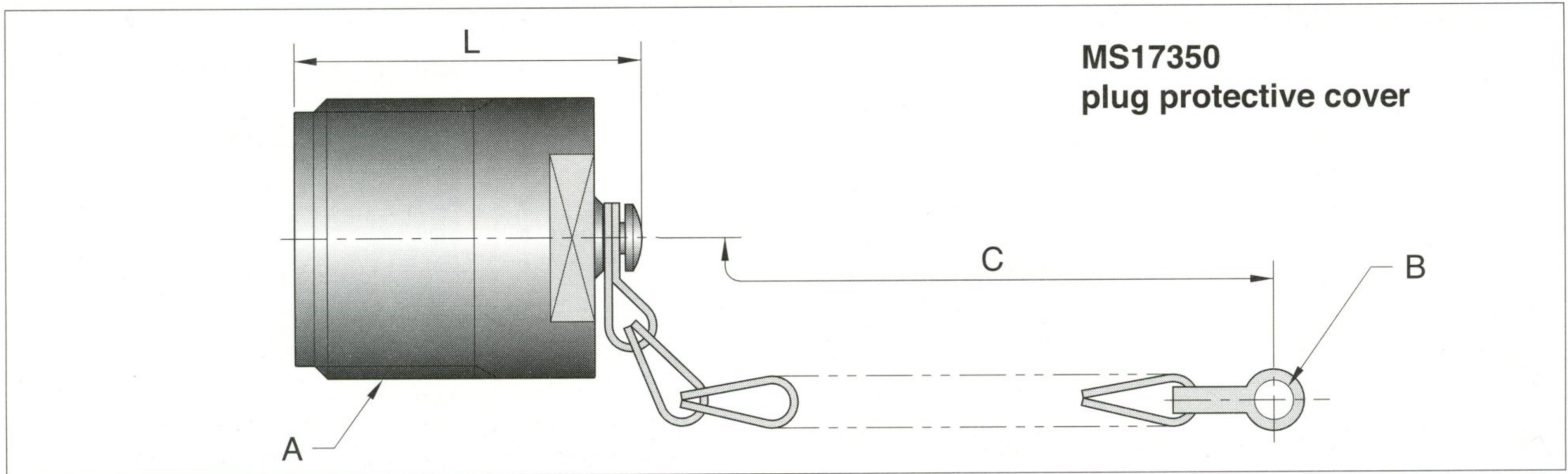
● INSERT CONFIGURATIONS BY NUMBER OF CONTACTS

MIL-C-22992 classes C, J & R utilize MIL-C-5015 inserts, Shown on this page are the insert configurations which have been approved for use under MIL-STD-1651. For further information on these insert configurations.

INSERT	TOTAL CONTACTS	SERVICE RATING	CONTACT SIZE				
			16	12	8	4	0
12-5	1	D		1			
14-3	1	A			1		
16-2	1	E		1		1	
16-12	1	A				1	
18-6	1	D			1		
18-7	1	B		1	(High Voltage)		
18-16	1	C					
20-2	1	D					1
22-7	1	E					1
16-11	2	A		2			
16-13	2	A		2			
18-14	2	A	1			1	
22-11	2	B	2				
16-7	3	A	2		1		
16-10	3	A		3			
18-5	3	D	1	2			
22-2	3	D			3		
22-9	3	E		3			
22-21	3	A	2				1
28-3	3	E			3		
16-9	4	A	2	2			
18-4	4	D	4				
18-13	4	A		3	1		
18-15	4	A		4			
20-4	4	D		4			
20-24	4	A	2		2		
22-10	4	E	4				
22-22	4	A			4		
24-22	4	D			4		
32-17	4	D				4	
36-5	4	A					4
18-11	5	A		5			
20-14	5	A		3	2		
22-12	5	D	3		2		
24-12	5	A		3		2	
28-5	5	D	2	1		2	
32-1	5	D&E		3			2
32-2	5	E	2			3	
20-8	6	INST	4		2		
20-17	6	A	1	5			
20-22	6	A	3		3		
22-5	6	D	4	2			
22-15	6	A&E	1	5			
28-22	6	D	3			3	
36-3	6	D		3			3
36-6	6	A				4	2
18-9	7	INST	5	2			
20-15	7	A		7			
24-2	7	D		7			
24-10	7	A			7		
24-16	7	A&D	3	3	1		
24-27	7	E	7				
28-10	7	A&D		3	2	2	
18-8	8	A	7	1			
20-7	8	A&D	8				
20-9	8	A&D		1			
22-18	8	A&D		8			
22-23	8	A&D			8		
22-36	8	A&D			8		
24-6	8	A&D			8		
32-15	8	D			6		2
20-16	9	A		7	2		
20-18	9	A		6	3		
20-21	9	A		8	1		
22-17	9	A&D		8	1		
22-27	9	A&D		8		1	
24-11	9	A			6	3	
28-1	9	A&D			6	3	
28-4	9	D&E		7	2		
32-3	9	D		4	2		2
18-1	10	INST&A		10			
24-21	10	D		9		1	
28-19	10	A,B&D		6	4		
20-33	11	A		11			
24-20	11	D		9	2		
28-8	12	A,D&E		10	2		
28-9	12	D		6	6		
28-18	12	INST,A,C&D		12			2
20-27	14	A		14			
22-19	14	A		14			
28-2	14	D		12	2		
28-20	14	A		4	10		
32-9	14	D		12			
28-17	15	A,B&D		15			
24-7	16	A		14	2		
20-29	17	A		17			
22-14	19	A		19			
28-11	22	A		18	4		
24-80	23	INST		23			
32-6	23	A		16	2	3	2
32-13	23	D		18	5		
24-28	24	INST		24			
28-23	24	INST		21		+3 #8shielded	
28-24	24	INST		21		+3 #8shielded	
28-12	26	A		26			
40-1	30	D		24	6		
36-9	31	A		14	14	2	1
28-15	35	A		35			
32-7	35	INST&A		28	7		
36-15	35	A&D		35			
28-21	37	A		37			
32-73	46	A		46			
36-7	47	A		40	7		
36-8	47	A		46	1		
40-9	47	A		24	22	1	
36-10	48	A		48			
36-52	52	A		52			
36-66	56	A		52	4		
40-15	60	INST		57		+3 #8shielded	
40-56	85	A		85			
44-52	104	A		104			

MIL-C-22992 CLASSES C, J & R

● Protective covers



MIL-C-22992 CLASSES C, J & R

● Protective covers

Order MS - approved covers as per coded part number example :

Shell Size	A thread Class 2A(Plated) 0.1P-0.2L Double stub	B Dia +.010 -.005	C Approx.	L Max
12	.8750	.156	5.000	1.500
14	1.0000	.156	5.000	1.500
16	1.1250	.156	5.000	1.500
18	1.2500	.180	5.000	1.500
20	1.3750	.180	5.000	1.500
22	1.5000	.180	6.000	1.500
24	1.7500	.180	6.000	1.500
28	2.0000	.180	6.000	1.500
32	2.2500	.209	6.000	1.500
36	2.5000	.209	6.000	1.500
40	2.7500	.209	6.000	1.500

PART NUMBER

MS17350	C	28	A
1	2	3	4

MS Number -

MS17350 designated plug protective cover
ms17349 designated receptacle protect cover

Cover Finish - C for conductive, N for non-conductive.

Cover Size - Shell size of connector with which cover is used.

Cover Type - (MS17349 only) -

A - Washer Termination, used with :

MS17345 line (cable connecting) plug

MS17347 jam nut receptacle

MS17348 jam nut receptacle

B - Eyelet Termination - used with :

MS17343 wall mount receptacle

MS17346 box mount receptacle

Shell Size	A thread Class 2B 0.1P-0.2L Double stub	B +.010 -.005	C Approx	D Dia. Max	F +.010 -.000	L Max
12	.8750	.156	5.000	1.094	1.016	.765
14	1.0000	.156	5.000	1.219	1.141	.765
16	1.1250	.156	5.000	1.344	1.266	.980
18	1.2500	.180	5.000	1.469	1.391	.980
20	1.3750	.180	5.000	1.562	1.516	.980
22	1.5000	.180	6.000	1.688	1.641	.980
24	1.7500	.180	6.000	1.938	1.891	.980
28	2.0000	.180	6.000	2.219	2.141	.980
32	2.2500	.209	6.000	2.469	2.391	.980
36	2.5000	.209	6.000	2.719	2.641	.980
40	2.7500	.209	6.000	2.969	2.891	.980

All dimensions for reference only.